

THE CIVIL ENGINEER

E-NEWSLETTER

Volume-IX [4th Quarterly Issue] October-December, 2017



The Institution of Civil Engineers (India)

The Civil Engineer

E-NEWSLETTER

Volume-IX [4th Quarterly Issue] October-December, 2017

OUR INTELLECTUAL PILLARS

1.	Dr. Sohan H. Lal Swamy Chairman The Institution of Civil Engineers (India) New Delhi-110005	11.	Prof. C.V.R. Murty Director IIT, Jodhpur Old Residency Road, Ratanada Jodhpur - 342011 Rajasthan
2.	Prof. V. N. Rajasekharan Pillai Former Vice-Chancellor (IGNOU) President Mewar University NH-79 Gangrar, Chittorgarh Rajasthan-312901	12.	Dr. P.P. Mujumdar Professor, Department of Civil Engineering Indian Institute of Science Bangalore-560012 Karnataka
3.	Mr. Ashok K Mittal Chancellor Lovely Professional University Lovely Campus, Jalandhar-Ludhiana G.T. Road, Near Chaheru Railway Bridge Phagwara-144402 Punjab	13.	Dr. Subhash Chandra Mishra (F.I.E) Retd. Dean College of Engineering and Technology Bhubaneswar- 751003 Odisha
4.	Dr. D.P. Ghosh Ex- Professor , Dept. of Civil Engineering IIT, Kharagpur West Bengal- 721302	14.	Prof. Satish Khanna Ex-Professor, Department of Architecture School of Planning and Architecture New Delhi- 110002
5.	Prof. K.G. Sharma Professor, Dept. of Civil Engineering IIT Delhi, Hauz Khas New Delhi-110016	15.	Prof. R.S. Sharma Ex- Professor, Dept. of Civil Engineering and Practicing Architect College of Technology, Pantnagar Uttarakhand- 263145
6.	Prof. Ravi Sinha Professor, Dept. of Civil Engineering IIT, Mumbai, Powai Mumbai- 400076	16.	Prof. A.K. Sarma Professor, Deptt. of Civil Engineering IIT Guwahati Assam -781039
7.	Dr. G.L. Asawa Ex-Professor Department of Civil Engineering IIT , Roorkee- 247667 Uttarakhand	17.	Prof. S. R Gandhi Professor, Deptt. of Civil Engineering IIT Madras Chennai-600036
8.	Prof. Anjan Dutta Prof. Dept. of Civil Engineering IIT, Guwahati-781039 Assam	18.	Prof. Deepak Kashyap Professor, Deptt. of Civil Engineering IIT , Roorkee- 247667 Uttarakhand
9.	Dr. L.S. Ramachandra Professor, Deptt. of Civil Engineering IIT, Kharagpur West Bengal-721302	19.	Prof. P.K. Garg Vice-Chancellor Uttarakhand Technical University P.O. Chandanwari, Prem Nagar Sudhowala Dehradun-248007
10.	Prof. K. Rajagopal Professor, Dept. of Civil Engineering IIT, Madras Chennai-600036	20.	Dr. S.D. Sharma Former Dean Post Graduate Faculty cum Director Resident Instructions Orissa University of Agriculture and Technology, Bhubaneswar Odisha- 751003



The Institution of Civil Engineers (India)

EDITORIAL BOARD

Editor-in-Chief

Dr. S.L. Swamy, Chairman

Editor

Mr. Prithipal Singh, Secretary General

Members

Md. Aslam Qureshi, Vice President

Er. Sagar Singh Thakur, Joint Secretary

Dr. S.D.Sharma, Director (Academic)

Ms. Maya Thakur, Director

Mr. Paras Dugar, Controller of Exams

Mr. Manjit Swami, Executive Director

Mr. Chander Mohan, Regional Director

IN THIS ISSUE...

- From the Editor in-Chief's Desk : 1
- From the Editor's Pen : 2
- Canalisation of River Sutlej (a land-cum-water management model) : 3-8
- Soil Compactors :Unleashing Innovation in Present Market Dynamics : 9-12
- Add to your Vocabulary : 13
- Partners to conduct Practicals & Submission of Project Reports (AICTE approved Institutions in different States/Cities) : 14-21
- Professional Vistas : 22-26
- Snippets : 27
- Alumni...A Lifelong Relationship! Keep it alive ! : 28
- Alumni Association Membership Form : 29
- List of Members of the Alumni Association of ICE(I) : 30-50

The Civil Engineer Newsletter is the Official Publication of The Institution of Civil Engineers (India) [Registered under Societies Registration Act, XXI of 1860].

The Civil Engineer-Newsletter contains articles on Civil Engineering related to the subject directly or indirectly besides the news of The Institution of Civil Engineers (India).

Notice of change of address must be received in the Offices of the Institution of Civil Engineers (India) Regd. Off. or Delhi Off.: 'Career House' 4, East Park Road, Karol Bagh, New Delhi-110005.

Website: www.ice.net.in

Email : info@ice.net.in

Chairman of the Institution
Dr. S. L. Swamy



From the Editor-in-Chief's Desk

Dear Readers

The new issue of the Civil Engineer E-Newsletter is before you along with the coming of the New Year 2018. It has always been our endeavor to enrich the Newsletter by making available to you with such material as may be of use to you. In the present issue you will find that there are two articles – Canalization of River Sutlej (a land-cum-water management model) and Soil Compactors : Unleashing Innovation in Present Market Dynamics.

In the first article the authors have very lucidly explained the advantage of Canalization of River Sutlej for mitigating the fury of its floods, recharging the ground water round the year and improvement in the land area beyond the river contours which could be used for urban and infrastructure development activity.

In the second article the author has given statistic for the growth of soil compactors and its utility in the road sector in India which is rapidly developing. Market leaders in this venture are continuously making improvement in the machine not only to improve its control and efficiency but have made stride in the operational safety i.e. comfort of the operator.

The other features of the Newsletter are the same to which you are familiar with. I am happy that you are all pursuing your studies while in job as well for bettering your career and status in the society. You have my blessings in this venture and I take this opportunity to wish you all a very Happy New Year.

With my best wishes.

Dr. S.L.Swamy
Chairman

Always bear in mind that your own resolution to succeed is more important than any other one thing.



From the Editor's pen

Dear Readers

Another Year has gone and we have the New Year 2018 before us with all hopes and aspirations that the New Year may fulfill all our desires and prove fabulous for all of us.

Nothing is stationary in this world. Nature has bound its creation in such a way that the world moves in a perfect order – days, nights, weeks, months and years and so on. They appear to be the same but they play different role for the different people. A day or night may be enjoyable for someone but for others it may be the saddest period of life because of some tragedy or the other befallen on them. Therefore, we have to exercise utmost caution not to be too happy or too sad but to accept the situation as it comes as per the will of

the God. Then only we can maintain our equilibrium to lead our future life. Life is like a water which flows in a stream or a river moving on and on not to come back at a place left behind. Let us keep on moving as moving gives us life to achieve what we aspire.

If all of us are sincere in what we are doing, then there is nothing which can come in our way in the nation building and taking the nation to the new heights which could be the envy of the world.

I take this opportunity to wish you all a very happy and prosperous New Year.

With my best wishes.

Prithipal Singh
Secretary General

Hard-work certainly goes a long way. These days a lot of people work hard, so, you have to make sure you work even harder and really dedicate yourself to what you are doing and setting out to achieve.

CANALISATION OF RIVER SUTLEJ (a land-cum-water management model)

1. INTRODUCTION

The River Sutlej meanders through the plains of the State of Punjab, starting from Nangal to Ferozepur. The devastation caused by the fury of floods, especially during the design flood events, is enormous. Due to the urbanisation and development of the agriculture activity in the state, huge losses of crop/ live stock/ infrastructure, are a common phenomenon. The natural regime of the river occupies a very wide and uncontrolled width, consuming highly precious land areas of the state. At certain places, the width of the river extends up to 1000 m.



River protection as well as diversion structures are therefore provided every

year. Inundation of agricultural areas as well as uprooting of adjoining forests is a common sight after the floods.

2. CANALISATION OF RIVER SUTLEJ

In the urbanised world, the importance of optimum use of land areas is realised early and suitable measures are taken accordingly in this direction. The state of Punjab is already short of landed area and therefore, this aspect assumes greater significance. It is therefore that a proposal for "Canalisation of river Sutlej" is being mooted here.

3. THE BACKGROUND

(a) Observations in the Past

It has been observed that due to meandering nature of the natural flow of the river, the rising and receding floods leave behind, different profiles of sediment in the bed. This has a major impact on the flow behaviour in the next season of monsoons. Even the discharge of about 30% of the design flood discharge, many times, has the capability of over topping/ damaging the bunds.



It is also observed that the farmers have a tendency to expand their agricultural boundaries towards the river bed, especially after a year or two of drier spells of monsoons. This also results in shrunken passages for the river flow.

(b) Impacts of Urbanisation

The general development, in the shape of fast expanding infrastructure, has a significant impact on the regime flow. Forced to travel through bridges etc. and also along road embankments etc., the river flow area gets pruned/ diverted. This leads to forced sedimentation, reducing further, the flow passage. Higher heads of water are experienced in such cases, which lead to over topping of the guide banks damaging the structure like bridges etc. as well as at times.

(c) Lost advantages

The uncontrolled flow of flood waters results in negative impact all-around, unless and until tapped. In earlier years, certain controls have been exercised in the shape of dams etc. In some other states of the country, rain waters flowing in seasonal streams are accommodated partially in artificial ponds for various purposes at different times. The ever depleting ground water source also remains a cause of concern as almost 70% agriculture depends upon tube wells irrigation facility.

It is therefore pertinent to address these issues at the earliest. This will reduce the devastation and increase proper usability of the precious water source.

5. THE PROPOSAL

- (a) The unabated fury of floods is the most annoying part of the monsoons and it has been the endeavour of engineers to conquer the same. In case the river Sutlej is canalized within a design section, as in the case of rivers in more advance countries, a lot of land area can be saved from floods.
- (b) The strip of land rendered surplus along the passage of the river can be put to fruitful usage.



The defined boundaries of the river provide for confident planning of the adjoining areas. The inspection bank of the river can also serve as arterial route in the shape of a highway, connecting various cities and having provisions of necessary facilities along the way. The strip of land, thus rendered surplus due to canalisation, becomes an area, most sought after for the purposes of urban and infrastructure development activity.

As the state is deficient of land surplus, it is difficult to create artificial ponds. As such, it is proposed to "provide low height cyclic weirs in the river bed".



Make Small Dams Increase Evaporation



(c) A regular dredging, upstream of these weirs act as a desiltation activity providing for silt/ sand for public use. The water stored behind these weirs remains available through the dry season, catering to the needs of the nearby areas.

In the stretches where the bed slope is steep, larger ponding is possible providing for gravity irrigation through underground pipes. The dependability on tube wells shall be reduced and these water pockets shall also contribute to ground water recharge.

4. THE COST FACTOR

(a) The Present Scenario

- (i) Regular maintenance works along the river banks and the protection works undertaken along the river is a regular feature, costing the state to the tune of Rs. 50 to 70 crores annually.
- (ii) Due to meandering of the river, the location of trapped silt keeps shifting, creating difficulty in the removal of this sediment. Added to the fresh annual arrivals, this deposit becomes a potential destabilizer of the river flow pattern causing congestion of flow sections at various places which require mechanical redressal.



- (iii) Land compensation and crop compensation and compensation against damage to property/ live stock are common features after floods every year.
- (iv) The sizes of road/ railway/ regulator crossings are abnormally larger than required due to crossing of natural regime sections.
- (v) The river training works assume very large sections and lengths in order to match the natural contours.
- (vi) Major costly inputs, like stone etc. are becoming scarce as well as expensive.

- (vii) Hyacinth growth is seen along the banks, especially in the ponded areas and this growth travels into the canal system endangering the canal structures. Removal of hyacinth from the canal waters is a regular and expensive activity which is under taken every year.

Although it is not possible to give concrete figures a fair idea about the very expensive disastrous and hazardous nature of this system can be gathered from the above.

(b) The Present Proposal

- (i) The proposal requires preparation of flood inundation plans along the entire reach of the river and training of river banks with sheet piling. The average cost of providing vertical banks with sheet piles of average 10 M height and strengthening of earthen banks shall be to the tune of Rs 80,000/- per meter per bank.

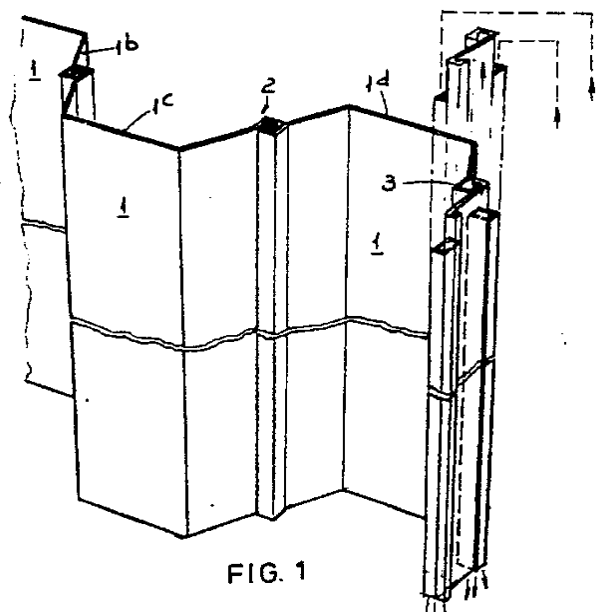
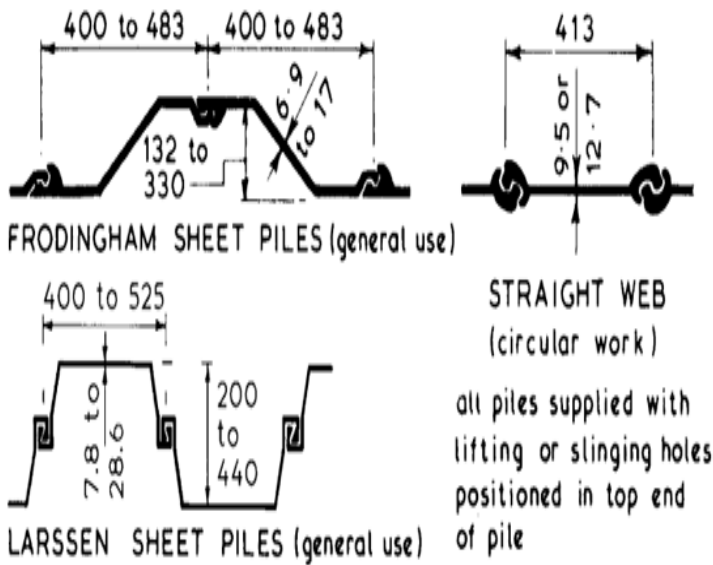
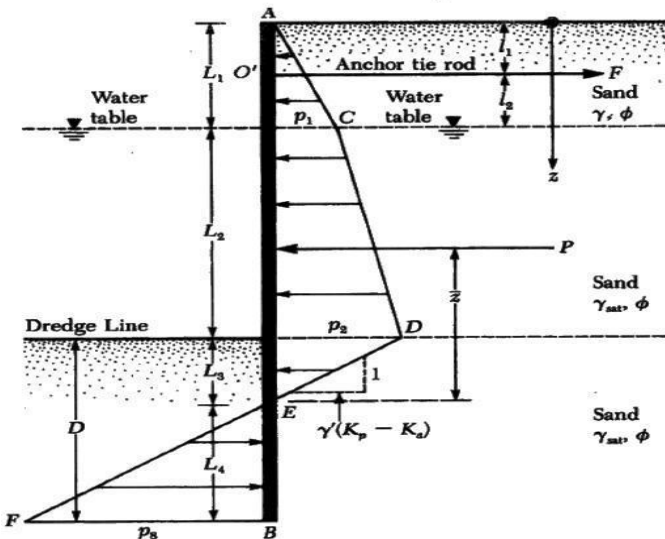


FIG. 1



Sheet Pile in Sand with dimensions and pressure distribution



6. THE BENEFITS

The proposed system has long term benefits over the present arrangement as follows:-

(a) Defined section of flow is ensured for a minimum of 30 years life of the sheet piles, which are easily repairable/ replaceable. A backfill of porous concrete can add longevity to this section.

- (b) An assured land surplus may be to the tune of 25000 Acres is likely to be made available with this dispensation.
- (c) This surplus land neighbouring the perennial water passage becomes an area, most sought after for the purposes of urban and infrastructure development activity.
- (d) Regular maintenance shall now include only the de-siltation activity, the cost of which is compensated by the usability of the removed material.

- (e) Fixed locations for mining shall be available, adding to the convenience and cost effectiveness of the activity.
- (f) Least damage to crop/ property/ live stock etc. should now be expected after the floods. Compensations, accordingly shall thus be negligible on this account.
- (g) The reduced sizes of road/railway/ regulator crossings goes to the benefit of the state exchequer.
- (h) No river training works are required in this system.
- (i) The scarce resource of stone is dispensed with.
- (j) The chronic problem of the growth of hyacinth and its ill effects, is tackled automatically.
- (k) Pond/ gravity irrigation facilities created at various places along the stretch of the river.
- (l) Ground water recharge facility created round the year.
- (m) Defined crossings across the canalised river replace the conventional (made to use) cause ways which are vulnerable areas prone to breach.
- (n) Canalized rivers are useful for navigation purposes as well.
- (ii) Sediment trap pockets and pond locations need to be planned minutely.
- (iii) State of the art technology is recommendable for use in this case. Providing vertical porous banks with reusable sheet piles is another alternative.
- (iv) At the first instance, a National Highway Project along the left bank of the river, strengthened and raised with the above technology can be taken up. The work can be executed in stages from one pucca work to another, so as to regulate the expenditure over a period of time.
- (v) Appurtenant features of interest can be developed simultaneously.
- (vi) A complete water shed management technique shall be applicable especially on the choes/ drains discharging into the river.

From the above, it is seen that the proposed system has far reaching benefits which may not be quantifiable but leave a positive impact on the economy of the state and the general uplift of the society.

7. MODE OF APPLICATION

- (i) A comprehensive project with complete planning needs to be prepared.

8. RECOMMENDATION

Given the situation that the available land areas of the state are shrinking and the natural resource of water is becoming scarce, the proposal provides a comprehensive land cum water management model. It is most suitable from the point of view of adversities experienced at the hand of uncontrolled floods in the past. The proposal therefore, is highly recommended for immediate implementation.

Er. Sanjeev Suri

Chief Engineer, Irrigation Works Punjab
Chandigarh
&

Er. Rajinder Ghai

ADE, Irrigation Works Punjab
Chandigarh

Life Member ICE(I) No. 30391

SOIL COMPACTORS : UNLEASHING INNOVATION IN PRESENT MARKET DYNAMICS

Almost all types of building sites and construction projects utilize mechanical compaction techniques. With more than 60 per cent of the cargo movement being handled by the road network, the focus will naturally be on road infrastructure. Roads and Highways sector has been and continues to be one of the key drivers for growth for the infrastructure section in India. India needs roads, both in rural and urban areas to progress. The government has shown significant focus on building a world-class road network. Thus there is a substantial budget outlay in successive National Budgets towards this segment. Investments that have been earmarked for this sector present a great opportunity for the OEMs. According to Off-Highway Research, the growth rate of compaction equipment from 7.6 per cent in 2009-10 will reach to over 60 per cent by 2014. (The total volume of compaction equipment in 2009 was 2,787 units, which in 2010, crossed 3,000 units (a growth rate of 7.6 per cent) and the forecast is a growth in the volume of around 4,800 units by 2014, a growth rate of 60 per cent.



ICB Soil Compactor

The market for soil compactors in India has been growing at a steady pace. An estimated 3500 units of compactors were being sold in India annually in the recent few years, out of which roughly about

50% are soil compactors. Whether it is asphalt compactors for soil compactors, the thrust from manufactures has been on machines that will achieve optimum compaction with the minimum number of passes.

Market leaders & Technology Innovation

The trend that has been witnessed in the Indian compaction markets is the movement towards vibratory compaction from the earlier predominantly static rollers the technology helps send pressure waves into the soil surface in different directions leading to the particles achieving a dense state of orientation. Just as in the case of the other types of construction equipment contractors have realized that the initial higher capital investments bound to pay off in the long run, given the cost savings achieved due to the lesser number of passes. Manufactures are also focusing on coming out with machines that are fuel efficient and require minimal maintenance all adding to the good news for contractors with competition, intensifying suppliers are concentrating on coming out with machines that would ideally suit Indian working conditions, where typically these machines would be put through more Number of work cycles, as compared to the developed world. Global players who have entered the fray in India have been getting feedback from end-users and have been focusing their R&D towards machines that are specifically suited for India.

The Wirtgen Group offers Hamm range of compactors which are economical and effective. The articulated tandem rollers like the compact line HD 12 VV are perfectly adapted to applications on smaller road construction or landscaping sites. They are highly maneuverable for smaller areas and offer economical compaction on small sites. The HD series rollers like the HD 99 tandem roller made in India are perfectly designed for road construction and paving of large asphalt surfaces. Vibration and oscillation make them suitable for a variety of applications. They offer benefit to an operator in terms of comfort and visibility. The 311 soil compactors and the 3520 Padfoot compactors for earthwork applications are characterized by high degree of comfort, outstanding ergonomic design, excellent field of vision and extremely powerful gradeability. The rubber wheeled rollers GRW 15 are used to compact asphalt pavements.

With the knowledge gained from working with the Indian market for decades, Volvo CE designed a single drum compactor specifically to suit local industrial applications. The 110-tonne class SD110BA combines dynamic drum forces and a heavy drum weight to produce the energy necessary to achieve material target density in fewer passes. With the highest centrifugal force in its class, the SD110BA delivers unmatched performance, ease of operation and outstanding output. Besides this the Volvo SD110BA also enables operators to access hard-to-reach areas of the job site thanks to the fully integrated traction control system. Preventing wheel slip provides stability when operating on steep inclines and slippery surfaces. Meanwhile, the tapered drum frame allows the machine to operate on slopes to 35 degrees and

provides greater clearance when loading and unloading for transport. Even in challenging environments, operators can count on the Volvo SD110BA to stand its ground. The well-balanced machine features a center joint with a +/- 38 degree angle of articulation and +/-17 degree oscillation, improving stability, maneuverability, and safety. In combination, these features provide customers with a means of achieving a greater volume of work at a higher quality and in less time.

JCB India offers a range of road compaction equipment with three world-class products—the VMT330 (a Mini Tandem Roller), the VMT 860eco (a 9T Tandem Roller), and the latest JCB116 (a 11T soil compactor). The JCB116 Soil Compactor, a new world-class machine from JCB India comes with JCB Diesel Mx engine, providing fuel saving of up to 6%. It is also equipped with proven German Vibration Technology and is designed to give more compaction per litre. It assures desired compaction density in a minimum number of passes.

BOMAG has a new soil compactor line up from 11-26 tonnes. Versatility is a key feature of the new Atlas Copco Dynapac CA1400 soil compactor. Designed for compaction operations in pipe trenches, compacting roads, streets, parking lots and pipe trenches.



Escorts 2620 Vibrator Soil Compactor

Due to its compact size and maneuverability, the model is suited for compaction in cramped spaces in connection with refilling work. Other benefits include maneuverability even on steep slopes. Versatility is a key feature of the new Atlas Copco Dynapac soil compactor. Compaction width is 1.676m while the static linear load is 20kg/cm, allowing compaction of sand and gravel down to 500mm. Two amplitudes are offered of 17mm and 0.8mm. The PD version can compact silt and clay to a depth of 450mm power to the machines comes from a Kubota Stage IIIB/Tier 4 Final engine delivering 55kW with low exhaust emissions and fuel consumption. The engine is transversely mounted for ease of access.

HAMM's latest compact soil compactor can be specified with both oscillation and vibration. The BW 213,219 and 226 models are equipped with firm's variocontrol (BVC) compaction system., with automatic compaction control. A new design is said to make this even easier to use of Variocontrol, with a single rotary switch integrated into the arm of the seat needed for all settings. In manual mode the operator chooses the amplitude, while in automatic mode the operator can specify EVIB values with the Variocontrol package taking over control of amplitude. LiuGong has developed its B-series soil compactors.



Wiragen Soil Compactor



Volvo Soil Compactor

The H5 and H7 variants are said to offer precise operation as well as good traction and ground clearance due to the hydrostatic drive system

A move towards operational safety :

An operator's efficiency is paramount with regard to optimizing the output. Comfort and safety of an operator are of paramount importance as it not only ensures safe operations at the construction site but also increase the Efficiency of the operation. JCB has taken special cognizance of this requirement and invested heavily in designing machines which offer the best-in-class operator environment. The latest Compactor from JCB India, the JCB116 has been designed keeping operator comfort in mind. Few key features are: The in-built Compaction Meter is placed ergonomically for operator comfort thereby, helping in achieving the desired output. The steering wheel and console are designed to ensure fatigue free operation and the cab platform is mounted on 4 viscous mounts to isolate it from any vibrations and to make the operator feel comfortable even during high amplitude passes JCB's range of compactors vibrations and health levels are kept low to provide a comfortable work environment. Moreover, operator friendly and ergonomically located controls with joystick help in easy machine operation.

Hamm compactors are provided with isolated operator platform, there is no feeling of vibration of the machine. This improves the stress-free operator of the machine and improves the operator's efficiency. Hamm soil compactors are built with patented design of three point pendulum articulated joint. The three point articulation joint connects the front and rear ends of the compactor and enables excellent directional stability and steerability and provides driver safety on difficult terrains and for the driver's comfort. Operator efficiency is improved by the isolated operator platform by providing comfortable seat 3 point articulation will help the better stability of the operator. Operator safety and maintenance related features are built in Hamm compactors which include safety indication and alarms for any faulty conditions in Hamm machine. Engine compartment is closed with ERP hood, which will reduce the noise levels by approx 10-12 DB we can also provide the isolation foam as an option to reduce the noise levels further.

Similarly SD110BA, model of Volvo is one of the most popular compactors in the Indian market. A conveniently positioned control on the operational panel allows easy switching of work modes, depending on working conditions. The unit also offers variable drum vibration frequencies from 0-30 Hz. Which is again easily adjusted from the operator's console, allowing faster and easier reactions to changing soil types and conditions.

Market Potential

For over a decade, the road-building sector in India has offered major growth opportunities for the construction equipment industry with more than 60

percent of the cargo movement being handled by the road network the focus will naturally be on road infrastructure. According to Ramesh Palagiri, Managing Director and CEO, Wirtgen India. The market for compactors for the past 8-10 years has been around 2500 units per year. However, with the infrastructure development projects planned by the government in the roads and highway sector this demand has increased considerably. The growth of this sector is interlinked with the growth of the Indian economy and indirectly with the growth of infrastructure. Factors like slow land approvals high interest rates, a weak rupee and the slowdown in the mining industry have affected the market which registered almost flat growth over the last few years.

Conclusion :

There is huge growth potential for compactors in an Indian that is developing a lot in terms of infrastructure. While the construction equipment market looks challenging in the short term due to policy paralysis at the executive level of the government the medium to long-term growth story of this industry seems intact.

*Source & Credit : MB Buearu
www.masterbuilder.co.in
August 2017*

ADD TO YOUR VOCABULARY

- **Abatjour**

Movable screen. Movable slat. Skylight or different means of admitting light into a building and deflecting the light downward.

- **Accelerator**

An admixture which, when added to concrete, mortar or grout, increases the rate of hydration of the hydraulic cement, shortens the time of set and increases the rate of hardening or strength development.

- **Acoustic Reactance**

Resistance to the passage of sound through a medium, either solid, liquid or gas. It is caused by the internal and elastic properties of the medium, which allows it to absorb the sound.

- **Adiabatic curing**

The maintenance of ambient conditions during the setting and hardening of concrete so that heat is neither lost nor gained from the surroundings of the concrete.

- **Air Brick**

Hollow bricks, which are open at both end and used to permit air to pass through a wall and are placed at different locations as air vents.

- **Anisotropy**

The property of some materials, such as wood, exhibiting different strengths in different directions.

- **Apron**

A form of scour protection consisting of timber, concrete, riprap, paving, or other construction placed adjacent to abutments and piers to prevent undermining.

- **Astragal**

A molding, attached to one of a pair of swinging doors, against which the other door strikes.

- **Back-To-Back**

Two or more items that are placed in mirror image to one another. When used with plumbing fixtures, where a common wall is shared, back-to-back installation saves both space and money. Since the water supply and the waste drain and pipe venting are shared, repeat installation is unnecessary.

- **Balconet**

A pseudo-balcony. A low, ornamental railing which projects only slightly beyond a window sill.

OUR PARTNERS TO CONDUCT PRACTICALS & SUBMISSION OF PROJECT REPORTS (AICTE approved Institutions In different States/Cities)

Andhra Pradesh	
1.	Chaitanya Engineering College Chaitanya Valley, Kommadi, Madhurawada, Visakhapatnam - 530041, Andhra Pradesh
2.	Koneru Lakshmaiah College of Engineering Green Fields, Vaddeswaram, Guntur Distt.- 522502 Andhra Pradesh
3.	Kakatiya Institute of Technology & Science Opp. Yerragattu Hillock, Vill-Bheemaram, Mandal-Hasanparthy, Warangal - 506015, Andhra Pradesh
4.	Sri Venkateswara College of Engineering & Technology Chittor, Andhra Pradesh
5.	Chaitnaya Bharathi Institute of Technology Chaitanya Bharathi, P.O. Gandipet, Hyderabad - 500075, Andhra Pradesh
6.	Govt. Polytechnic Masabtank, Hyderabad-28, Andhra Pradesh
7.	Rajeev Gandhi Memorial College of Engg. & Tech. N.H.-18, Kurnool District, Nandyal-518501, Andhra Pradesh
8.	Mumtaz College of Engg. & Technology Malakpet, Hyderabad- 36, Andhra Pradesh
9.	KLR College of Engg. & Tech. Khammam District, Paloncha Andhra Pradesh
10.	Nagole Institute of Technology & Science Kuntloor (V), Hayathnagar (M), Hyderabad, Ranga Reddy District-501505 Gveta, Hyderabad-501505, Andhra Pradesh

Assam	
1.	Assam Engineering College Jalukabari, Guawhati-781018, Assam
2.	Jorhat Engineering College Government of Assam, Jorhat-785007, Assam
3.	Down Town Group of Institution Assam Down Towan University Sankar Madhab Path, Gandhi Nagar, Panikhaiti, Guwahati-781026, Assam
4.	Royal School of Engg & Technology Civil Engineering Department, Betkuchi, Guwahati-781035, Assam
5.	Nowgong Polytechnic Panigaon, Nagaon-782001, Assam
6.	School of Engg. & Technology Kaziranga University, Koraikhowa, NH 37, Jorhat-785006, Assam

Bihar

- | | |
|----|---|
| 1. | RP Sharma Institute of Technology
Patna, RPS Complex, Bailey Road (West) Danapur Patna - 801503 Bihar |
| 2. | Netaji Subhas Institute of Technology
Amhara, Bihta, Patna- 801118 Bihar |

Chattisgarh

- | | |
|----|---|
| 1. | Ashoka Institute of Technology & Management
Gram-Torankata, Post-Somni, G.E. Road, Rajnandgaon-491441, Chhattisgarh |
| 2. | Dignity College of Architecture
NH-6, Anjora, Opposite Govt. Veterinary Hospital, Durg-491001, Chhattisgarh |

Delhi

- | | |
|----|--|
| 1. | Chhotu Ram Rural Institute of Technology & Pharmacy
Kanjhawala, (Ghevra), Delhi-110081 |
|----|--|

Gujarat

- | | |
|----|--|
| 1. | L. D. College of Engineering
Government of Gujarat, Near Navranpura, Ahmedabad - 380015, Gujrat |
| 2. | Government Engineering College
Shamlaji Road, Modasa - 383315, Gujarat |
| 3. | Sree Tapi Brahmcharyashram Sabha College of Diploma Engineering
Opp. Spinning Mill, Varachha Road, Surat - 395006, Gujarat |
| 4. | Sardar Vallabhbai Patel Institute of Technology,
PO. Box No. 22, District - Anand, Vasad-388306, Gujarat |
| 5. | Ahmedabad Institute of Technology
Near Vasantnagar Township, Gota-Ognaj Road, Ahmedabad-380060, Gujarat |

Haryana

- | | |
|----|---|
| 1. | M.M. Engineering College
M.M. Group of Institutions, Mullana Distt. Ambala, Haryana |
| 2. | Lingaya's Institute of Management & Technology
Nauchauli, Old Faridabad, Jasana Road, Faridabad - 121002, Haryana |
| 3. | Haryana College of Technology & Management
P.O.Box No.44 Ambala Road, Kaithal - 136027, Haryana |
| 4. | Sat Kabir Institute of Technology & Management
Vill. Ladrawan, Teh. Bahadurgar , Dist. Jhajjar, (Near Qutubgarh-Delhi Border), Haryana-124507 |
| 5. | NCR Polytechnic
Vill.-Kulasi, Bahadurgarh, Jhajjar, Haryana |

6.	Delhi College of Technology & Management 77 Km Stone, NH-2, Gudhrana, Distt. Palwal Haryana-121105
7.	Lingaya's University Nachauli, Old Faridabad, Jasana Road, Faridabad-121002, Haryana
8.	NGF College of Engineering & Technology 71st K.M. N.H.-2, Delhi Mathura Highway (NCR), Palwal- 121102, Haryana
9	Delhi Technical Campus 4th Km Stone, Main Bahadurgar Badli Gurgaon Road, Naya Gaon, Bahadurgarh Distt. Jhajjar, Bahadurgarh-124507, Haryana

Himachal Pradesh

1.	MIT College of Engineering & Management Bani (Barsar) Distt. Hamirpur Himachal Pradesh-174384
2.	Baddi University of Engineering Science & Technology Makhnumajra, Nalagarh, District-Solan, Baddi Highway, Solan-173101, Himachal Pradesh
3.	Himachal Institute of Engineering and Technology Vidyanagar (Near Central University, Shahpur, District- Kangra-176223 Himachal Pradesh
4.	School of Architecture, APG Shimla University Shoghi- Mehli by Pass Road, Near Panthaghati, Shimla- 171009, Himachal Pradesh

Jharkhand

1.	Government Polytechnic P.O.- B. Polytechnic, Dhanbad-828130, Jharkhand
2.	Cambridge Institute of Technology Tatisilwai, Ranchi-835103, Jharkhand
3.	Government Polytechnic Ranchi-834001, Jharkhand
4.	Mining Institute P.O. – B. Polytechnic Dhanbad-828130 Jharkhand

Jammu & Kashmir

1.	National Institute of Technology & Science Indira Nagar, P.O. Miran Sahib, Jammu – 181001, Jammu & Kashmir
2.	Institute of Engineering & Computer Sciences Purkhoo Camp, Domana, Jammu- 181001, Jammu & Kashmir
3.	Government College of Engineering & Technology Old University Campus, Canal Road Jammu-180004, Jammu & Kashmir
4.	Royal Polytechnic College 55-Gogji Bagh, Srinagar-190001, Jammu & Kashmir
5.	SSM College of Engineering & Technology Parihaspora, Pattan, Baramulla, Srinagar-193121, Jammu & Kashmir

Karnataka

- | | |
|----|---|
| 1. | Anjuman Engineering College
Anjumanbad, P.O.Box No.24 Bhatkal – 581320 Karnataka |
| 2. | Bapuji Institute of Engineering & Technology
Post Box No. 325, Davangere-577004 Karnataka |

Kerala

- | | |
|----|--|
| 1. | Matha College of Technology
Manakkappadi, N. Paravur, Ernakulam-683511 Kerala |
| 2. | Mangalam College of Engineering
Mangalam Campus, Ettumanoor Kottayam- 686631 Kerala |
| 3. | MES College of Engineering
Kuttippuram, Thrikkanapuram P.O., Malappuram District. -679573 Kerala |
| 4. | SSM Polytechnic College
Tirur- 676105, Kerala |

Madhya Pradesh

- | | |
|-----|--|
| 1. | Shri G.S. Institute of Technology & Science
23, Park Road, Indore, Madhya Pradesh |
| 2. | Rishiraj Institute of Technology
Village- Revati, Sanwar Road, Indore, Madhya Pradesh |
| 3. | Mansarovar Institute of Science & Technology
Mansarovar Campus, Kolar Road, Bhopal- 462042, Madhya Pradesh |
| 4. | Govt. Polytechnic College
Shahdol, Madhya Pradesh |
| 5. | Jawaharlal Institute of Technology
"Vidya Vihar" Borawan, Tehsil Kasrawad, Distt. Khargone – 451228, Madhya Pradesh |
| 6. | Lakshmi Narain College of Technology
Kalchuri Nagar, Raisen Road, P.O. Kolua, Bhopal – 462021, Madhya Pradesh |
| 7. | NRI Institute of Technology & Management
Near Railway Bridge, Jhansi Road, Gwalior, Madhya Pradesh |
| 8. | Truba Institute of Engineering & Information Technology
Karond Gandhi Nagar By Pass Road, Bhopa, Madhya Pradesh |
| 9. | Sarder Patel College of Technology (Engg.)
Sardar Patel Campus, Gyakhuri, Balaghat-481001, Madhya Pradesh |
| 10. | Bapu Institute of Technology & Management
Opp. Village Jaderua, N.H.3, A.B. Road, Morena- 746001, Madhya Pradesh |
| 11. | Global Institute of Engineering & Science
Niwali Road, Gran-Chatli (Sendhwa) District-Barwani, Sendhwa, Madhya Pradesh |

Maharashtra

- | | |
|----|--|
| 1. | Pravara Rural Engineering College
Loni, A/P. Loni-413736, Tal. Rahata, Dist. Ahmednagar, Maharashtra |
|----|--|

2.	Mahatma Gandhi Missions, Jawaharlal Nehru Engineering College N-6, CIDCO, Aurangabad – 431003 Maharashtra
3.	G.H. Raisoni College of Engineering CRPF Gate No. 3, Hingna Road, Digdoh Hills, Nagpur – 440016, Maharashtra
4.	Kavikulguru Institute of Technology and Science Ramtek – 441 106, Nagpur, Maharashtra
5.	Bharati Vidyapeeth University College of Engineering Pune-Satara Road, Dhankawadi Pune - 411043 , Maharashtra
6.	Aurangabad College of Engineering Gut No. 52, Tuljapur Shivar, (Savangi) Jalgaon Road, Aurangabad-431008 Maharashtra
7.	Trimurti Institute of Technology (Polytechnic) S. No. 227/2, Paldhi Bk., Next to North Maharashtra University, Tal. Dharangaon Dist. Jalgaon- 425103, Maharashtra

Odisha

1.	Dhaneshwar Rath Institute of Engineering & Management Studies (Diploma Wing), Kairapari, Kotsahi (Tangi), Cuttack – 754022, Orissa
2.	Krupajal Engineering School Prasanti Vihar, Pubasason, Kausalya Ganga Bhubaneswar – 751002 Orissa
3.	KIIT University AT/PO. : KIIT, Bhubaneshwar – 751024, Orissa
4.	Black Diamond College of Engineering & Technology Jharsuguda (BDCET) At : Balijori, L & T Dhutra Road, Jharsuguda, Orissa-768202
5.	Sanjay Memorial Institute of Technology Chandipadar, Via : Bhattakumarada, Berhampur, Dist.-Ganjam-761003 , Orissa
6.	Gopal Krishna College of Engineering & Technology I.E.M., Gourahari Vihar, P.O.-Raniput, Jeypore, Koraput, Odisha-764005
7.	Orissa Engineering College Nabajyoti Vihar, Nijigarh Kurki, P.O.-Harirajpur, Jatni, Bhubaneswar-752050, Orissa
8.	Suddhananda Engineering & Research Centre At-Nachhipur, P.O. : Bhatapatana, Bhubaneswar, Dist : Khurda, Orissa - 752115
9.	Raja Kishore Chandra Academy of Technology (Polytechnic) At/Po : Nilgiri, Dist : Balasore, Balasore-756040, Orissa
10.	Suddhananda Residential Polytechnic At – Nachhipur, PO-Bhatapatana, Dist. Khurda-751012, Bhubaneswar
11.	SGI School of Architecture At-Nachhipur, Po-Bhatapatana, Dist-Khurda- 752115, Orissa

Punjab

1.	Lovely Institute of Technology (Architecture) Jalandhar-Ludhiana, G.T.Road, Near Chehru Railway Bridge, Phagwara, Kapurthala-144402, Punjab
2.	Desh Bhagat Engineering College Amloh Road, Mandi Gobingarh, Punjab

3.	Guru Nanak Dev Engineering College Gill Road, Ludhiana, Punjab
4.	Institution of Engineering & Technology Bhaddal, Ropar, Punjab
5.	Tawi Engineering College Shahpur Kandi, Tehsil Dharkalan, District Pathankot, Punjab

Rajasthan

1.	Sri Balaji College of Engineering & Technology Benad Road (Dadi Ka Phatak), Jaipur – 302013, Rajasthan
2.	College of Engineering and Technology Bikaner, Kani Industrial Area, Pugal Road, Bikaner-334005, Rajasthan
3.	Aayojan School of Architecture ISI-4, RIICO Institutional Block Sitapura, Goner Road Jaipur-302022, Rajasthan
4.	Aryabhata College of Engineering and Research Centre Ajmer- 305001 Rajasthan
5.	Saraf Institute of Engineering & Technology Tibbi Road- Extension, Hanumangarh Town Rajasthan-335513
6.	Siddhi Vinayak Engineering & Management College E-I, B-1, M.1.A., Institution Area Alwar-301001 Rajasthan
7.	SLBS Polytechnic College NH-112, Jodhur-Jai0pur Highway, Dangiawas, Jodhpur-342027, Rajasthan
8.	SLBS Engineering College NH-112, Jodhpur-Jaipur Highway, Dangiawas, Jodhpur-342027, Rajasthan
9.	Laxmi Devi Institute of Engineering & Technology Alwar-Tijara-Delhi Highway, Chikaani, Alwar- 301028, Rajasthan

Tamil Nadu

1.	Apollo Priyadarshanam Institute of Technology Panruti, Sriperumbudur Taluk, Kancheepuram District, Chennai-631604, Tamil Nadu
----	---

Uttarakhand

1.	Dehradun Institute of Technology Mussoorie-Diversion Road, P.O. – Bhagwantpur, Dehradun, Uttarakhand
2.	Drona's College of Management & Technical Education Opposite Rajpur, Bypass, Sahastradhara Road, PO : Gujarada Dehradun-248001 Uttarakhand
3.	Shivalik College of Engineering Shiniwala, P.O. Sherpur, Shimla Road, Dehradun-248197, Uttarakhand

Uttar Pradesh

1.	Bundelkhand Institute of Engineering & Technology Kanpur Road, Jhansi – 284128, Uttar Pradesh
2.	Radha Govind Engineering College Anuyogipuram, Near Medical College Garh Road, Meerut – 250004, Uttar Pradesh

3.	Gandhi Polytechnic Muzaffarnagar, Uttar Pradesh
4.	Hewett Polytechnic Mahanagar, Lucknow, Uttar Pradesh
5.	Lucknow Polytechnic Abhyantrik Upnivesh, Krishna Nagar, Kanpur Road, Lucknow Uttar Pradesh
6.	Sevdie Institute of Management & Technology, (S.I.M.T) Chinhat Deva Road, Lucknow, Uttar Pradesh
7.	North India Institute of Technology 7 th km Bundki Road, Najibabad Dist. Bijnor, Bijnor-246763 Uttar Pradesh
8.	Devprayag Institute of Technical Studies Devprayag Technical Campus, Phaphamau, Allahabad, Uttar Pradesh
9.	Jaswant Singh Bhadauria Institute of Technology Kosi Khurd Bharatpur Road Mathura- 281005, Uttar Pradesh
10.	Sunderdeep College of Architecture NH-24, Sunder Deep Nagar Delhi-Hapur Road Dasna Ghaziabad-201001Uttar Pradesh
11.	Goel Institute of Technology & Management Lucknow -Faizabad Road, Near Indiarra Canal Lucknow-227105, Uttar Pradesh
12.	M G Institute of Management & Technology 8 th Km. Mile Stone from Amausi Airport, Lucknow-Kanpur Highway, Banthara, Lucknow-227101, Uttar Pradesh
13.	Institute of Engineering & Rural Technology Allahabad, 26, Chaitham Lines, Allahabad-211002, Uttar Pradesh
14.	Hanswahini Institute of Science & Technology (Polytechnic) Mahuari Chakia (Near ITI Company), Post-Nibi, Nainin, Allahabad- 211008, Uttar Pradesh
15.	Dreams College of Polytechnic 5 th Km Milestone, Janta Road, Saharanpur- 247001, Uttar Pradesh
16.	Shanti Niketan Group of Institutions NCR Knowledge City, Goon-Gejha Road, Mohiuddinpur, Meerut- 201205, Uttar Pradesh
17.	Dev Bhoomi Group of Institutions Dabki Road, Village-Beri Jama, Post-Baliyakheri, Distt-Saharanpur, Saharanpur-247001, Uttar Pradesh

West Bengal

1.	North Calcutta Polytechnic 15, G.M. Lane, Kolkata-700002, West Bengal
2.	Camellia School of Engineering & Technology Nadibhag, P.O.-Kajipara, Barasat, Kolkata-700124, West Bengal
3.	JIS College of Engineering Block "A" Phase-III, Kalyani, Nadia, West Bengal-741235
4.	Rajmati Prichand Bothra Memorial Jiaganj College of Engineering & Technology (RPBM) At - Hatibhjan, PO. Jiagan, Dist. - Murshidabad-742123, West Bengal

5.	Narula Institute of Technology 81, Nilgunj Road, Agarpara, Kolkata-700109 West Bengal
6.	Sanaka Educational Trust's Group of Institutions B-150, Columbia Street, Bidhan Nagar, P.O. Malandighi, P.S. Kanksa, Burdwan Durgapur-713212
7.	The New Horizons Institute of Technology Phase-II, City Centre, South G.T. Road Durgapur-713208, District.- Burdwan, West Bengal.
8.	Ideal Institute of Engineering Kalyani Shilpanchal, P.O. & P.S. – Kalyani Dist.- Nadia West Bengal-741235
9.	IMPS College of Engineering & Technology Malda Nityanandapur, P.O- Chandipur (Kajigram), Malda-732103, West Bengal

ABSTRACT		
Sl.No.	State	No. of MoUs
1.	Andhra Pradesh	10
2.	Assam	6
3.	Bihar	2
4.	Chhattisgarh	2
5.	Delhi	1
6.	Gujarat	5
7.	Haryana	9
8.	Himachal Pradesh	4
9.	Jammu and Kashmir	5
10.	Jharkhand	4
11.	Karnataka	2
12.	Kerala	4
13.	Madhya Pradesh	11
14.	Maharashtra	7
15.	Odisha	11
16.	Punjab	5
17.	Rajasthan	9
18.	Tamil Nadu	1
19.	Uttarakhand	3
20.	Uttar Pradesh	17
21.	West Bengal	9
Total		127

PROFESSIONAL VISTAS

- **Recognition by Govt. of India, Ministry of Human Resource Development, Department of Higher Education**
vide Gazette Notification No. F.24/1/2007-TS.III Dated 06.11.2007.

- **Recognition by Association of Indian Universities (AIU)**
vide letter No. EV/III (366)/2008/71 Dated 11.04.2008.

- **Recognition by All India Council for Technical Education (AICTE)**
vide letter No. Eqvi./AB/Gen.Corr./2008-09 Dated 16.09.2008.

- **Recognition by Union Public Service Commission (UPSC)**
vide letter No. F.2/1/2007-EIB Dated 30. 06.2009.

- **Recognition for GATE by National Coordinating Board-Gate, Deptt. of Education, MHRD, Gol.**

- **Recognition by Government of Goa**
vide letter No.12/11/87-PER/Vol.II Dated 06.03.2008.

- **Recognition by Directorate of Technical Education, Haryana**
vide letter No.351-53/Dev. Dated 13.06.2008.

- **Recognition by Government of Kerala**
vide letter No.3946/GI/08/H. Edn Dated 08.07.2008

- **Recognition by RITES Limited**
vide letter No. RITES/RI/RCED/Misc/2008 Dated 14.07.2008.

- **Recognition by Delhi Development Authority (DDA)**
vide letter No.F.7(98)2008/PBI/2399 Dated. 20.08.2008.

- **Recognition by Government of Meghalaya**
vide letter No. FDN.156/2001/249-A Dated 21.08.2008.

- **Recognition by IRCON in International Limited**
vide letter No. IRCON/HRM/31/28/728 Dated 01.09.2008.

- **Recognition by Directorate General Border Roads**
vide letter No. 13616/Gen/Rect /DGBR/97/E1A Dated 21.10.2008.

- **Recognition by Government of National Capital Territory of Delhi**
vide letter No.1(1)/2008-DD/SB/1520/5609 Dated 29.10.2008.

- **Recognition by Shapoorji Pallonji & Co. Ltd.**
vide letter No. Nil Dated 30.10.2008.

- **Recognition by Government of Andhra Pradesh**
vide letter No. 10232/EC.2/2008-02 Dated 05.11.2008.

- **Recognition by Administration of Daman & Diu (UT)**
vide letter No. 10.2 (PART-IV) EST-GP/2008-09/797 Dated 11.11.2008.

- **Recognition by CPWD- Central Public Works Department, Government of India**
vide letter No.A-12021/1/2006-EC VI/74-75 Dated 19.01.2009.

- **Recognition by Visvesvaraya Technological University, Karnataka**
vide letter No. VTU/Aca/OS-GC/2009-10/2118 Dated 04.06.2009

- **Recognition by Government of Nagaland**
vide letter No. IT/10-1/04 Dated 30.07.2009

- **Recognition by Government of Uttarakhand, PWD, Pauri Garhwal**
vide letter No.1011/20(15) E.A.-Parv./09-10 Dated 06.09.2009.

- **Recognition by Government of Chhattisgarh, Department of Technical Education**
Manpower Planning, Science & Technology, Mantralaya, D.K.S Bhavan, Raipur
vide letter No.F-14/07/42 Dated 11.05.2010.

- **Recognition by Government of Punjab, Technical Education and Industrial Training, Punjab Chandigarh.**
vide letter No.1362 Dated 24.06.2010.

- **Rural Electrification Corporation Limited (A Government of India Enterprises)**
vide letter No. REC/ED(HR)/Trg./2010-11/ Dated 10.08.2010

- **Cement Corporation of India Ltd. (A Government of India Enterprises)**
vide letter No. PD/HRD/6/6/2010/6119 Dated 12.08.2010

- **Recognition by Delhi Metro Rail Corporation Ltd.**
vide letter No DMRC/O&M/HR/2010
Dated 20.08.2010
- **Recognition by Oil and Natural Gas Corporation Ltd. Rectt. Section, Tel Bhawan, Dehradun**
vide letter No. 7(2)/PR-Rectt./2010
Dated 26.08.2010
- **Recognition by Anna University Chennai, Chennai-600025**
vide letter No.2664?AU/DD1-DAC/2011/F21
Dated 07.01.2011
- **Recognition by Government of West Bengal, Directorate of Technical Education & Training, Kolkata**
vide letter No.728 TET Dated 28.03.2011
- **Recognition by Government of Karnataka**
Vide Govt. order No. ED 21 UTV 2012
Dated 09.03.2012
- **Recognition by State Board of Technical Education and Training, Andhra Pradesh, Hyderabad**
Vide letter No. No. Lr.No.SBTEL/B5-775/596/EQUI/2012
Dated 02/04/2013
- **Recognition by Maharshi Dayanand University Rohtak**
Vide letter No. AC-3/2013/F-207/4085-98 Dated 26.04.2013
- **Recognition by Andhra Pradesh Public Service Commission**
Vide letter No.1549/RN/2012 dated 29.04.2013
- **Recognition by CAT**
Vide e- mail Dated 23.07.2013
- **Recognition by Birla Institute of Technology, Mesra Ranchi-835215**
Vide letter no. GO/ICE(I)/13-14/3781 Dated 05.08.2013
- **Recognition by Public Service Commission, West Bengal**
Vide No. 101PSC(S&R)/2M-1/09(S&R)(Pt) Dated 07.08.2013
- **Karnataka Public Service Commission**
Vide No. R(i)484/13-1 Dated 30.09.2013
- **The Institution of Engineers (India)**
Vide No. EEA/ACC/3179/A KG Dated 11.11.2013
- **Meghalaya Public Service Commission**
Vide No. MPSC/E-27/2011-2012/85 Dated 15.11.2013
- **Recognition by All India Management Association (AIMA)**
Vide No. MAT/M-14 Dated 18.12.2013
- **Recognition by Jawaharlal Nehru Technological University, Hyderabad**
• Vide No. MAT/M-14 Dated 18.12.20A1/1640/2014
Dated 07.01.2014

- **Recognition by NHPC Limited**
Vide letter No.NH/HR/Rectt./060/Int.Ind./2014/308
Dated 17.07.2014
- **Recognition by Instrumentation Limited**
Vide letter No. IL/CPD/Rectt-73/2014-15
Dated 18.07.2014
- **Recognition by Rajasthan Technical University**
Vide website Notification dated 07.07.2014
- **Recognition by XAT**
Vide Fax dated 14.11.2014
- **Recognition by University of Mumbai**
Vide letter No. Elg/2331 of 2014 dated 26.11.2014
- **Recognition by Army**
Vide letter No.B/60202/ RTG UES dated 28.11.2014
- **Recognition by Mahatma Gandhi University, Kerala**
Vide letter No. AcD/02/4092/2014
dated 2.12.2014
- **Recognition by Assam Don Bosco University, Assam**
Vide letter No. DBU/SM/33/15-01 dated 3rd March,2015
- **Counselling Cell of Directorate of Technical Education Government of Madhya Pradesh**
Vide Website details : Dte.mponline.gov.in
- **Recognition by Govt. of Himachal Pradesh**
Vide letter No. EDN(TE)F(10)1/2012 dated 24th August,2015
- **National Scholarship Portal**
<https://www.scholarships.gov.in>
- **Recognition by Maharshi Dayanand University, Rohtak**
Vide letter No. AC-3/2016/F-208/7967-68 dated 20th May, 2016
- **Recognition by Department of Water Resources, Government of Maharashtra**
Vide Unique Code 201602101145238027 dated 08.02.2016
- **Recognition by Public Work Department, Government of Maharashtra**
Vide Unique Code 201606271752441418
dated 27.06.2016
- **Recognition by PWD Department, Government of Bihar**
Vide No. 12-36/2016/2260(s) dated 09.03.2017
- **Recognition by Irrigation & CAD (Services-I) Department Government of Telangana**
Vide Memo . No. 3033/Ser.I(1)/2016-5 Dated 08.03.2017
- **Recognition by Osmania University, Hyderabad**
Vide No.910/L/Acad/2017 Dated 11.07.2017

रजिस्ट्री सं. डीएल(एन)-04/0007/2003--05

REGISTERED No. DL(N)-04/0007/2003--05



भारत का राजपत्र The Gazette of India

साप्ताहिक/WEEKLY

प्राधिकार से प्रकाशित
PUBLISHED BY AUTHORITY

सं. 45] नई दिल्ली, शनिवार, नवम्बर 10—नवम्बर 16, 2007 (कार्तिक 19, 1929)
No. 45] NEW DELHI, SATURDAY, NOVEMBER 10—NOVEMBER 16, 2007 (KARTIKA 19, 1929)

इस भाग में भिन्न पृष्ठ संख्या दी जाती है जिससे कि यह अलग संकलन के रूप में रखा जा सके।
(Separate paging is given to this Part in order that it may be filed as a separate compilation)

विषय-सूची

भाग I—खण्ड-1—(रक्षा मंत्रालय को छोड़कर) भारत सरकार के मंत्रालयों और उच्चतम न्यायालय द्वारा जारी की गई विधितर नियमों, विनियमों, आदेशों तथा संकल्पों से सम्बन्धित अधिसूचनाएं	1051	भाग II—खण्ड-3—उप खण्ड (iii)—भारत सरकार के मंत्रालयों (जिसमें रक्षा मंत्रालय भी शामिल है) और केन्द्रीय प्राधिकरणों (संघ शासित क्षेत्रों के प्रशासनों को छोड़कर) द्वारा जारी किए गए सामान्य सांविधिक नियमों और सांविधिक आदेशों (जिनमें सामान्य स्वरूप की उपविधियां भी शामिल हैं) के हिन्दी प्राधिकृत पाठ (ऐसे पाठों को छोड़कर जो भारत के राजपत्र के खण्ड 3 या खण्ड 4 में प्रकाशित होते हैं).....	*
भाग I—खण्ड-2—(रक्षा मंत्रालय को छोड़कर) भारत सरकार के मंत्रालयों और उच्चतम न्यायालय द्वारा जारी की गई सरकारी अधिकारियों की नियुक्तियों, पदोन्नतियों, छुट्टियों आदि के सम्बन्ध में अधिसूचनाएं	1109	भाग II—खण्ड-4—रक्षा मंत्रालय द्वारा जारी किए गए सांविधिक नियम और आदेश	*
भाग I—खण्ड-3—रक्षा मंत्रालय द्वारा जारी किए गए संकल्पों और असांविधिक आदेशों के सम्बन्ध में अधिसूचनाएं	3	भाग III—खण्ड-1—उच्च न्यायालयों, नियंत्रक और महालेखापरीक्षक, संघ लोक सेवा आयोग, रेल विभाग और भारत सरकार से सम्बद्ध और अधीनस्थ कार्यालयों द्वारा जारी की गई अधिसूचनाएं	5827
भाग I—खण्ड-4—रक्षा मंत्रालय द्वारा जारी की गई सरकारी अधिकारियों की नियुक्तियों, पदोन्नतियों, छुट्टियों आदि के सम्बन्ध में अधिसूचनाएं ...	1729	भाग III—खण्ड-2—पेटेंट कार्यालय द्वारा जारी की गई पेटेंटों और डिजाइनों से सम्बन्धित अधिसूचनाएं और नोटिस	741
भाग II—खण्ड-1—अधिनियम, अध्यादेश और विनियम	*	भाग III—खण्ड-3—मुख्य आयुक्तों के प्राधिकार के अधीन अथवा द्वारा जारी की गई अधिसूचनाएं	*
भाग II—खण्ड-1क—अधिनियमों, अध्यादेशों और विनियमों का हिन्दी भाषा में प्राधिकृत पाठ	*	भाग III—खण्ड-4—विधिक अधिसूचनाएं जिनमें सांविधिक निकायों द्वारा जारी की गई अधिसूचनाएं, आदेश, विज्ञापन और नोटिस शामिल हैं	11459
भाग II—खण्ड-2—विधेयक तथा विधेयकों पर प्रवर समितियों के बिल तथा रिपोर्ट	*	भाग IV—गैर-सरकारी व्यक्तियों और गैर-सरकारी निकायों द्वारा जारी किए गए विज्ञापन और नोटिस	685
भाग II—खण्ड-3—उप खण्ड (i)—भारत सरकार के मंत्रालयों (रक्षा मंत्रालय को छोड़कर) और केन्द्रीय प्राधिकरणों (संघ शासित क्षेत्रों के प्रशासनों को छोड़कर) द्वारा जारी किए गए सामान्य सांविधिक नियम (जिनमें सामान्य स्वरूप के आदेश और उपविधियां आदि) भी शामिल हैं	*	भाग V—अंग्रेजी और हिन्दी दोनों में जन्म और मृत्यु के आंकड़ों को दर्शाने वाला सम्पूरक	*
भाग II—खण्ड-3—उप खण्ड (ii)—भारत सरकार के मंत्रालयों (रक्षा मंत्रालय को छोड़कर) और केन्द्रीय प्राधिकरणों (संघ शासित क्षेत्रों के प्रशासनों को छोड़कर) द्वारा जारी किए गए सांविधिक आदेश और अधिसूचनाएं.....	*		

*अंकड़े प्राप्त नहीं हुए।

I—311GI/2007

(1051)

मानव संसाधन विकास मंत्रालय
(उच्चतर शिक्षा विभाग)

नई दिल्ली, दिनांक 6 नवम्बर 2007

सं.एफ. 24-1/2007-टी.एस.।।। शैक्षणिक योग्यताओं को मान्यता प्रदान करने के लिए उच्च स्तरीय समिति की दिनांक 22 मई, 2007 की बैठक में की गई सिफारिशों के आधार पर भारत सरकार ने उपर्युक्त क्षेत्र में केन्द्रीय सरकार की सेवाओं तथा पदों पर रोजगार देने के उद्देश्य से शैक्षणिक सत्र, 2007-08 से सिविल इंजीनियरी संस्थान (भारत), लुधियाना (पंजाब) के अखिल भारतीय तकनीकी शिक्षा परिषद द्वारा अनुमोदित पाठ्यचर्या अनुसार संचालित सिविल इंजीनियरी और वास्तुकला इंजीनियरी पाठ्यक्रमों में एसोशिएट सदस्यता पाठ्यक्रम की धारा (क) और (ख) को डिग्री के समकक्ष और तकनीकी इंजीनियरों (त) के भाग I और II को डिप्लोमा के समकक्ष मान्यता प्रदान करने का निर्णय लिया है। यह मान्यता इस शर्त के अधीन होगा कि अभ्यर्थियों की कुल संख्या उक्त परीक्षा के लिए सम्बन्धित संस्थान की अधिकृत दाखिला क्षमता से अधिक नहीं हो जिसके साथ सिविल इंजीनियरी संस्थान (भारत), लुधियाना (पंजाब) ने संगम ज्ञापन किया है। मानव संसाधन विकास मंत्रालय एक वर्ष के बाद अखिल भारतीय तकनीकी शिक्षा परिषद के माध्यम से शैक्षणिक योग्यताओं की मान्यता की पुनरीक्षा करेगा।

रवि माथुर
संयुक्त सचिव

**MINISTRY OF HUMAN RESOURCE DEVELOPMENT
(DEPARTMENT OF HIGHER EDUCATION)**

New Delhi, the 6th November 2007

≤ **No.F.24 – 1 / 2007 – TS.III.** On the recommendations of the High Level Committee for recognition of Educational Qualifications in its meeting held on 22nd May 2007, the Government of India has decided to give recognition to the Section A & B of Associate Membership course, equivalent to Degree and Part – I & II of Technician Engineers (T) equivalent to Diploma in Civil Engineering and Architecture Engineering Courses conducted by the Institution of Civil Engineers (India), Ludhiana (Punjab) as per syllabus approved by All India Council for Technical Education (AICTE) w.e.f. the academic session 2007 – 2008 for the purpose of employment to the posts and services under Central Government in the appropriate field. It is subject to the conditions that the total number of candidates who can be admitted for the said examination would not exceed the authorized strength of the concerned Institutions with which Institution of Civil Engineers (India), Ludhiana (Punjab) has entered into Memorandum of Understanding (MOUs). A review in respect of recognition of educational qualifications shall be made by Ministry of Human Resource Development after one year through All India Council for Technical Education (AICTE).

RAVIMATHUR
Joint Secretary

प्रबन्धक, भारत सरकार मुद्रणालय, फरीदाबाद द्वारा मुद्रित
एवं प्रकाशन नियंत्रक, दिल्ली द्वारा प्रकाशित, 2007
PRINTED BY THE MANAGER, GOVERNMENT OF INDIA PRESS, FARIDABAD AND
PUBLISHED BY THE CONTROLLER OF PUBLICATIONS, DELHI, 2007

SNIPPETS

OCTOBER - 2017

(i) Skill Development, Industrial Relations & Affirmative Action Meeting

ASSOCHAM Joint meeting of National Councils on Skill Development, Industrial Relations & Affirmative Action was held on 27th October, 2017 at ASSOCHAM House, 5 Sardar Patel Marg Chanakyapuri, New Delhi-110021. It was well attended meeting in which ICE(I) also participated.

NOVEMBER - 2017

(i) 20th JRD Tata Memorial Lecture on 3rd November, 2017

ASSOCHAM, India's apex Knowledge Chamber, instituted the JRD Tata Memorial Lecture Series in 1998 in memory of JRD and the Series has since then been graced by several distinguished and eminent speakers. Dr. Y.V. Reddy, Former Governor, Reserve Bank of India presented 20th JRD Tata Memorial Lecture on 3rd November, 2017. The event was very well attended in which ICE(I) also participated.

(ii) 15th National Conference with the theme "Preparing Engineers/Technologist for Role in Industry"

Engineering Council of India organized the 15th National Conference on the theme "Preparing Engineers/Technologist for Role in Industry" on 10th November, 2017 at the AICTE Auditorium, JNU Campus, New Delhi-110067 with All India Council Technical Education (AICTE), as the Principal Supporting Organization. The Conference was inaugurated by Dr, S.P. Singh, Hon'ble Minister of State, Ministry of HRD, Govt. of India as the Chief Guest and was very well attended. ICE(I) also participated in the Conference.

Alumni.....A Lifelong Relationship ! Keep it alive!

Alumni Engagement is at the core of the Institution of Civil Engineers (India). Keeping this in mind, the institution has worked towards building a strong alumni community and will continue to work in this direction.

“Alumni are the true brand ambassadors of their Alma Mater and represent it everywhere they go. They truly reflect the values of the institution from which they have graduated.

In order to actively engage our alumni, The Institution of Civil Engineers (India) encourages alumni participation to bring them together by providing a forum for meeting and exchange of views, to facilitate professional networking for mutual benefit and to contribute to the Institution’s efforts for achieving excellence in academics and research through sharing knowledge and expertise of its members in areas pertaining to academics, infrastructure, industry interactions and others, if any.

The Alumni are also invited for seminars, conferences, advancement programs etc. to enhance their learning’s which they can further use in their own respective work areas.

Keep reading this column for more news and updates on our Alumni.....!!.

The Members, who have not yet enrolled, may get in touch with us on icei.alumni01@gmail.com or at Delhi Office.

Secretary General



THE INSTITUTION OF CIVIL ENGINEERS (INDIA)

Regd. Office: 'Career House' Bindra Complex, Model Town, Ludhiana (Punjab),
Delhi office: 'Career House' 4, East Park Road, Karol Bagh, New Delhi-05
Email: icei.alumni01@gmail.com Website: www.ice.net.in

ALUMNI MEMBERSHIP FORM

1 Name (In Capital Letters) : _____

2 Father's Name : _____

3 Membership Certificate obtained : T.Engg./AMICE
from ICE(I) with details : Membership No. _____
Roll No. _____
Session of Completion of the Course _____

4 Profession after completion of the : _____
course : _____

5 Present Occupation with : _____
Designation & Office Address : _____

6 Correspondence Address : _____
: _____

7 Contact Details : E-mail ID _____
Telephone Nos: Office _____
Residence _____
Mobile: _____

8 Any special achievement awards : _____

9 Remarks : _____
: _____
: _____

Dated _____

Signature of the Member

FOR OFFICE USE ONLY

Alumni Registration No. _____

Date of Registration _____

(Authorized Signatory)

MEMBERS OF THE ALUMNI ASSOCIATION OF ICE(I)

Sl. No.	Membershi p No.	Candidate's Name	Designation	Office Address
1.	50263	Shradha Nand Bansal	CEO	L&Q Surverys (P) Ltd. XV-5352/A, Shora Kothi Pahar Ganj, New Delhi-55
2.	50997	Vinod Kumar Joshi	Assistant Engineer	URRDA, 1st Floor, Directorate of Panchayati Raj, Dehradun
3.	51023	Amit Chauhan	Senior Engineer	AFCONS Infrastructure Ltd, Afcons House 16, Veera Desai Road, Andheri (W) Mumbai
4.	51296	Santosh Kumar Sahu	Junior Engineer	Rural Engineering Services, Sub Engineer Block, Lailunga, CG
5.	50141	Pyare Lal	Junior Engineer	Irrigation & Public Health Div, Jawali, (HP)
6.	52923	Raman Sharma	Junior Engineer	Military Engineer Sevices, Garrison Engineer Chandi Mandir, Cantt. Panchkula
7.	50092	Jai Shanker Prasad Keshari	Dy. Manager	P&C Complex, PHED-II, NHPC Ltd, PO- Nagwain, Dist Mandi, (HP)
8.	55165	Harminder Singh	Manager (Civil)	M/s National Fertilizers Ltd. Bathinda
9.	51840	Satyendra Prasad	Junior Engineer	HQ-CWE, 153 Ashok Marg Mhow, Indore
10.	50060	Virinder Kumar Rattanpal	Junior Engineer	C/o PHE, Sub Div, Gandhinagar, Jammu
11.	50830	Raghunath Routray	Foreman	Archaeological Survery of India, Bhubaneswar Circle, Satya Nagar, Bhubaneswar
12.	51948	Lotliker Deepak Anand	Assistant Engineer	Pandit Jawahrlal Nehru Stadium, Sports Authority of Goa, Fatorda 403602
13.	50115	Devendra Singh Rana	Proprieter Architectural Services	Associates, 19-C, Subhash Road, Dehradun-248001
14.	57041	Vivek Sharma	Additional Assistant Engineer	Irrigation Construction Division, Kalsi (Ambari) Dehradun, UK
15.	55162	Vijay Kumar Garg	Assistant Engineer	DWD Irrigation Dept. Executive Engineers Drg. Div. Ludhiana (Punjab)
16.	51650	Dinesh Kumar Awasthi	Assistant Manager	RITES Ltd. Plot-1, Sec-29, Gurgaon
17.	50198	Dinesh Kumar Pacholi	Consulting Engineer & Valuer	15, Prachi Villa, Friends Colony, Udaipur
18.	51378	Kuldeep Kumar	Junior Engineer	NHPC Ltd. Parbati II, HE Projects, Power House Complex Sainj, Distt- Kullu (HP)
19.	51618	Anurag Agarwal	Junior Engineer	Serving in State Govt. Deptt (Peyjal Nigam) Executive Engineer, PIU-2, uusdip, C- Block, New ISBT Complex, Dehradun
20.	51977	Challa Ravi Kumar	Architecture &	Flat No. 302, City Plaza, Opp Andhra Sports,

		Babu	Builder	Dalagardens, Visakhapatnam
21.	50493	Basudeba Satapathy	Director	Vidyarthee Institute for Technological Studies IM-0205
22.	53794	Rajesh	Planning Manager	C&C Construction Ltd. Vill. Samoor, Distt, Una (HP)
23.	50055	Sushil Bazaz	Junior Engineer	R.C.C. Lower Div-I, Kathua, J&K
24.	50049	Satish Kumar	Junior Engineer	Irrigation, Div No. II, Jammu, J&K
25.	50051	Vidya Dhar	Junior Engineer	Town Drainage Division, Jammu, C/o Transport Nagar Narwal (Jammu)
26.	50120	Abdul Aziz Ahmed	Junior Engineer	DRDA, Barpeta, Assam
27.	50808	Ved Prakash	Assistant Engineer	Ghaziabad Development Authority, Vikash Path Ghaziabad
28.	51965	MD Tajammul Hasan	Junior Engineer	SSA, Dhanbad
29.	50125	Kichin Chandra Das	Junior Engineer	C.E. PWD (B), Assam, Chandmari, Guwahati
30.	50122	Dilip Kr. Nath	Junior Engineer	PWD (B), Assam Guwahati-3
31.	50124	Tarun Sarma	Junior Engineer	The Chief Engineer, PWD Building, Assam, Chandmari, Guwahati-3
32.	50260	Lallan Prasad	Project Manager	M/s Siddhivinayak enterprises pvt ltd. Bajpai chambers
33.	52600	Anil Kumar	Junior Engineer	Junior Engineer, MES (Min of Defence, C/o GE (I) 873 EWS 56 APO
34.	51858	Amit Kumar	Junior Engineer	MNREGA, Dhanbad Block, Chiragora
35.	52920	Joginder Singh	Junior Engineer	JE-Civil, Garrison Engineer (Air Force) MC, Chandigarh, Military Engineer Services 160003
36.	52073	Ravindra Kumar Alawat	Assistant Engineer	BHEL PSNR Plat No. 25, Sec-16 A, Noida (UP)- 201301
37.	52145	Anil Kumar	Additional S.D.O.	Haryana Irrigation Dept., Indri W.S. Div., Karnal
38.	52927	Manjit Singh	Senior Technician	Water Supply & Sanitation, Sub Division No.2, Mukerian Dist, Hoshiarpur, PB
39.	50222	Sajal Mitra	Executive Engineer	CRMD MII2 PWD, GNCTD, Road No., 3, Sainik Vihar, New Delhi-3
40.	50134	Likha Tasi	Junior Engineer	W.R.Division, Itanagar, Arunchal Pradesh-701111
41.	51575	Avdhesh Gupta	Junior Engineer	Delhi Metro Rail Co. Ltd., O/o CPM-3/ Line-7, Tuglak Crescent Park, Tuglak Road, ND-11
42.	51979	Dalvir Singh	Executive Engineer	PWD B&R Construction Division No.2 Hoshiarpur (PB)
43.	51301	Sunil Kumar Sinha	Counsaltanting Engineer	Gond Para Near Raja Ram Mandir Bilaspur, CG
44.	51015	Somashekar	Senior Engineer	KGSL Steel Ltd. Tadipatri (MD) Aantapur (Dist), Andra Pradesh
45.	52023	Rajesh Mahadev Raikar	Consulting Engineer	Kolwalkal Plaza, Taleigao Market, Goa
46.	54379	Mukesh Verma	Junior Engineer	Indian Railway C-52/G, Rail Vihar, C.S. Pur, Bhubaneswar-751023

47.	50259	Manoj Kumar Verma	Deputy Manager	Adhunik Power & Natural Resources Ltd. 229, A.J.C. Bose Road, Kolkata
48.	50056	Sanjay Sharma	Junior Engineer	M/s Samparkhomes, 47 C/C Green Belt Gandhi Nagar, Jammu
49.	53412	Shahnaz Ahmad Dar	Junior Engineer	Dept. SSA Education Bulgam
50.	51420	Farooq Ahmad	Junior Engineer	PWD (R & B) Sub Division Banihal, Dist. Ramban, J&K-182146
51.	51776	Raj Kumar	Dy. General Manager	RITES Ltd. Plot-1, Sec-29, Gurgaon
52.	51854	Vikas Verma	Field Engineer	M/s KE International Ltd., H.No. 10, Sec-6, Trikuta Nagar, Jammu
53.	52929	Som Lal	Assistant Engineer	O/o The Executive Engineer, Chandigarh Central Div-I, CPWD, Kendrya Sadan, Sec-9 A, Chandigarh
54.	50123	Dhiraj Sarma	Junior Engineer	O/o The Superintending Engineer PWRD, Guwahati, NEC Circle, Fancy Bazar, Guwahati-781004
55.	52120	Dibya Ranjan Tripathy	Asst. Engineer,	Cuttack Municipal Corporation, Cuttack, Odisha
56.	51258	Shikh Aijaz Nabi	Junior Engineer	PWD (R & B) Division Ailoo AnanInag, J &K
57.	58104	Vishal Anand	Junior Engineer	CWC, Bantalab, Jammu
58.	50277	Rakesh Kumar Sharma	S.D.O	Water Resources, E/M Light Macheinery tubewell Balod (C.G)
59.	50256	Bimal Narayan Barman	Junior Engineer	Guwahati Bldg div-1 Fancy Bazar, (GHY-1 (Assam)
60.	50193	Satish Kumar	Assistant Engineer	CPWD lind Floor Vigyan Bhawan, Annexe, CPWD Delhi
61.	52389	Tana Acha Tara	Junior Engineer	Pare hydro electric project, north eastern electric power corporation ltd, arunachal pardesh
62.	58610	Asif Ali Farooqi	Site Engineer	Morning star impex pvt ltd G-6 kamal complex.M.1 road jaipur-1
63.	52888	Narinder Singh	Asst. Highway Engineer	M.Venkata Rao infra project pvt ltd .1052 park royal plot 10A sec-9 dwarka. New delhi
64.	52222	Bathina Chantabbayi	Consulting Architecture & Builder	Prasanth Associates
65.	54479	Anil Kumar	Supervisor	Newpal, Construction company fathepur, distt
66.	50503	Saroj Kumar Dash	Asst. Engineer	Rural Work Sub division panposh sundargarh odisha
67.	51335	Dinesh Kumar Mahato	Asst. Engineer	FCX Bhel Jhansi
68.	52631	Mukesh Samadhiya	Sub Engineer	M.P Housing and Infrastructure Development borad division-1 gwalior (M.P)
69.	55554	Saurabh Dasot	Lecturer	Architect Assistanceship College, Kota Raj
70.	53107	Satish Kumar Gupta	Contractual Junior Engineer	Flood Control Deptt
71.	56257	Santosh Kumar Rath	Assistant Engineer	SAIL, Rourkela Steel Plant
72.	52497	MD Rashid Alam	Junior Engineer	C/o District Engineer, P.O Shivpahar, Near Pakur

				Road, dist Dumka, Jharkhand Pin-814101
73.	56326	Ponnamanda Ganeshkumar	Assistant Engineer	O/o SE© RT Nagar HPO 1st Floor Banglore
74.	50302	Rakesh Kumar Choubey	Project Manager	Bridge Construction for southern railway Add-102, srinilayanagar,ameerpet, hyderabad-500073
75.	55878	Shailendra Kumar Vyas	Dy. General Manager	3rd Floor, sapphire Twins- right wing PU-3 Scheme No-54, A.B Road , Indore-4520100, India
76.	57619	Vinay Pingle	Director	M/s Mid India civil electors pvt ltd A Contractorship form)
77.	58282	Javed Iqbal	Junior Engg	PMGSY Division
78.	50930	Rakesh Kumar Sharma	Work Supervisor,	P.W.D R&B Div.II
79.	50937	Sudesh Kumar Sargotra	Junior Engineer	P.W.D R&B Div No-II Jammu
80.	50037	Kishori Lal	Junior Engineer Civil	Kishtwar Development Authority
81.	55200	Sanjeev Sharma	Junior Engineer	P.W.D (R&B) Divison Udhampur (J&K) Jammu
82.	51206	Atulaya Padha	Junior Engineer Civil	J&K State Govt as at BHEP Chanderkote Distt Ramban
83.	50940	Kuldeep Chander Raina	Assist Engineer	Central Workshop div Near RTO office Narwal, Jammu
84.	55199	Ranjeet Kumar	Supervisor	F Com Pvt Ltd
85.	50680	Tanmay Sen	Assistant Engineer	Ministry of Rural Dev. Govt of Rajasthan
86.	59483	Shalabh Gupta	Assistant Engineer to Superintending Engineer	Postal civil Circle, 6th Floor, Meghdoot Bhawan GPO Compound, Patna-800001
87.	51310	Ksanborbah Kharkamni	Designer Engineer, Bulder	Proprietor KS & Associates MJ By grace Building, 2nd Floor Umsohsun Road, shillong-793001, Meghalaya
88.	52242	Ranjeet Kumar Singh	Junior Engineer (Civil)	Garrison Engineer, Military Engineer Service Cabt Kangra
89.	54878	Rajpal Singh Rawat	Senior Engineer Civil	H.I.H.T University Jollygrant Doiwala Dehradun(U.K)
90.	51635	Munir Ahmed	Junior Engineer	Irrigation & Flood Control
91.	55202	Sajad Ahmed Padder	Junior Engineer	(PWD R&B) Distt Ramban
92.	51627	Nand Kishore	Junior Engineer	Block Office rajouri Jammu
93.	60059	Suresh Tripathi	Consulting Architectural Engineer & Valuer,	Suresh Tripathi & Associates
94.	57823	Santu Thakur	Consultant	123, RN Tagore Rd, PO Berhampur Murshidabad, West Bengal
95.	50989	Narendra Kumar	Executive	Pradhan Mantri Gram Sadak Yojna, Rural

		Tripathi	Engineer	Engineering Deptt, Govt of U.P Banda
96.	52113	Dipti Ranjan Nayak	Junior Engineer Civil	Institute of Minerals & material Technology
97.	59133	Rajen Mishra	Sub Assistant Engineer	Office of D.M Darjelling, District Planning Section
98.	52247	Ashok Kumar	Junior Engineer	DRDA, MZP
99.	50046	Mohd. Alam	Assistant Engineer	P.H.E , Sub Division kalakota division nowshera (J & K)
100.	51958	Bimal Mukhopadhyaya	Chief Consultant	
101.	52519	Ananjay Kumar	Junior Engineer (Works)	O/o Chief Admin. Officer Construction organization E.C Railway, Mahendrughat, Patna Bihar-800004
102.	52520	Renu Kumari	Junior Engineer (Works)	Design Division No.1 Irrigation Building water resources Deptt., Anisabad, Patna 800002
103.	50932	Naresh Kumar	Project Engineer	Global Engineer Phase-III Gangyal Jammu (180010)
104.	54443	Shaik Mahaboob Basha	Assistant Engineer	P.R Division Markapur-523316 Andhra Pradesh
105.	50030	Ravi Salgotra	Junior Support Engineer	Shah Technical Consultant Pvt Ltd gandhi nagar, Jammu
106.	58982	Rajinder Kumar Sharma	Junior Engineer	Executive Engineer university works deptt university of jammu
107.	59415	Bipin Pandita	Computer Assistant	Fishries Deptt Canal Road Jammu
108.	58984	Pawan Singh Pathania	Junior Engineer	Executive Engineer Rew Udampur
109.	58983	Vinod Raina	Junior Engineer	Executive Enginner HPM Const Div Jammu
110.	50600	Aashish Mandal	Site Engineer	Gemstar builder and develop building no-40, sadhana enclave no-16
111.	59447	Pardeep Kumar	Bhooni Architect	#16896, St No. -2, Basant Vihar Bathinda Punjab
112.	60184	Neel Kamal Gandhi	Manager (Civil Engg)	RSWM Limited (Fabric Div) LNJ Nagar, Mordi Banswara (Raj)
113.	55858	Vijay Kumar Kesarwani	Sub Engineer	A.E.P.HED Shahdol M.P
114.	55635	Nega Likha	Junior Engineer	WRD
115.	53761	Rajani Kanta Behera	Technical Assistant	Granpanchayat PR Deptt, Govt of Odisha
116.	54360	Naresh Kumar	Assistant Engineer	Irrigation Deptt Haridwar
117.	58299	Swarnalata Jena	Civil Engineer	Design & Quantity Surveyor, Subudhi Associates, C-spur, BBSR, Orissa
118.	56254	Sabyasachi Mohanty	Dy Manager Planning	RIL Sambalpur
119.	53217	Raman Kumar	Junior Engineer	Govt Employee PKG-1.0 RHEP Jhakri Shimla (H.P)
120.	59497	Sunil Kumar	J.T.O	BSNL C-Subdh-Bhagalpur

121.	58183	Dhrubajyoti Chakraborty	Assistant Engineer	National Institute of Technology, Silchar Assam-788010
122.	50113	Sunil Kumar Gupta	Junior Engineer	Govt Service M.D.D.A Dehradun
123.	50109	Vinod Kumar Chamoli	Junior Engineer	Govt Service M.D.D.A Dehradun
124.	57466	Ram Babu Jatav	Assistant Engineer	PWD Rajasthan
125.	54452	Balee Das Verma	Designer Master Technician	Bhilai Steel Plant (Sail)
126.	57446	Anthony Tana Tara	Project Engineer	Hindustan p repabs Ltd
127.	53722	Madan Lal	Assistant Engineer	GE (N) Mes Ambala Cantt
128.	55866	Ajay Kumar Srivastava	Sub Engineer	P.H.E Sub Division Burhar Distt Shahdol
129.	67027	Anuj Sharma	Junior Engineer	Rural Engineering Deptt Near Collectrate , Pilibhit-262001
130.	67842	Sushil Kumar	Junior Engineer	Irrigation Deptt, U.P Saharanpur (U.P) India
131.	67841	Sumit Saini	Managing Director	Business, Roorkee
132.	60957	Subodh Kumar Jain	AEC(P)	CCW, All India Radio TV studio Complex Jhalama Dongi Jaipur
133.	59306	Barsharani Handique	Assistant Architect	Dipankar Baruah Associates
134.	66925	Vangala Vekateshwarlu	Assistant	Garrison Engineer, B/R III (Naval Base) Ksec, Dolphin Hill Naval Base, SCINDIA, Junction, Viskhapatnam
135.	56895	Anju	Lecturer in Architecture Asst	Pt. L.R College of Technology Ballabgarh Faridabad
136.	56896	Aruna	Lecturer in Architecture Asst	Pt. L.R College of Technology Ballabgarh Faridabad
137.	58562	Anup Kumar Baroj	Sr. Engineer	Pratibha Industries Ltd .IREO
138.	54445	Narender Singh	Project Manager	Jacobsees, Kol-91
139.	51087	Dhilawala Murtuza Johar	Junior Engineer	National Builders infrastructers Pvt Ltd
140.	53744	Bhupender	Sustainable Consultant	AECOM India Pvt Ltd, A-197, Sec-63 Noida, UP-201301
141.	50714	Mithilesh Kumar	SSE/D ROSO	Ministry of Railway LKO
142.	66531	R.Srinivasa Rao	Dy. General Manager (Engg)	H.M.W.S & S Board
143.	56728	Arvind Kumar	Consultant Engineer	Indraprasth Builders & Consultant
144.	53323	Vinayak Kshirsagar	Managing Director	Shree Sthapatya Pvt Ltd
145.	51088	Ebrahim.Joyeb.Dungrawala	Junior Engineering	Hubtown Limited

146.	55340	Munakala Adinarayana Rao	Project Manager	Navayuga Engineering Co.Ltd
147.	57844	Ravi Srivastava		India Bulls Real Estate Ltd
148.	58334	Reepu Daman Dube	Section Engineer/Civil	Delhi Metro Rail Co. Ltd.
149.	59417	Rajvir Singh	Junior Engineer	Irrigation Division Almora U.K
150.	64209	J Venkateswarlu	Consulting Architect	Design Home Architects Engineers
151.	57449	Pawan Kumar	Executive (Special Projects)	Ranbaxy labs. Ltd Mohali (PB)
152.	59252	Shaheena Akhter	Asst.Professor	SSM College of Engineering & Technology
153.	66573	Shiv Kumar Dewangan	Sub Engineer	Water Resources Deptt. Govt of Chattisgarh
154.	66574	Gopi Krishna Sharma	Sub Engineer	Water Resources Deptt. Durg Chattisgarh
155.	62876	Anjan Rinya	Student	RGPV Infinity Management Engineering College
156.	62859	Heiratami Shylla	Student	RGPV Infinity Management Engineering College
157.	65829	Om Prakash Singh	Sub Engineer	Executive Engineer Water Resources on Balod
158.	54387	Bibhuti Bhusan Behera	Sr. Design Engineer	Larsen & Toubro Ltd
159.	66362	Rajendra Kumar Soni	Sub Engineer	Water Resources Department Govt of C.G
160.	55944	Gujju Rama Reddy	Junior Engineer (Civil)	Vishakapatnam Port Trust
161.	55204	Mushir Afzal	Senior Engineer	BLGCPL, II-A-21 Lajpat Nagar, New Delhi-24
162.	58432	Harbir Singh Sorout	Junior Engineer Civil	CRMD M142 PWD, Najafgarh, New Delhi
163.	58033	Wasim Ansari		-
164.	56215	Vankayalapati Sreenivas	Project Manager	M/s Navayuga Engg.Co.Ltd BKPR-Tajpur Project, Patna Bihar
165.	50412	Lindum Tadam	Site Engineer	TK Engineering Ltd
166.	52205	Bal Krishan Sharma		Nagar Parishad & Bank Valuers,
167.	59307	Tarali Das	Assistant Architect	Rittick Hazarika Design Associates
168.	54215	Naresh Vemulapalli	Senior Assistant Manager	M/s Coastal Projects Ltd (QA/QC), Solapur
169.	59686	Somendra Kumar	Junior Engineer Civil	Office of the Executive Engineer, CD-2 PWD Bijnor HQ, Najibabad
170.	57465	Lala Ram	Assistant Engineer	PWD Sub Div Tijara (Alwar)
171.	55677	Ranjan Kumar	Civil Engineer	Aditya Birla Group
172.	61769	Pinaki Ranjan Halder	Highway Design Engineer	Neel Construction Links Pvt Ltd
173.	54185	Kunj Bihari Yadav	Project Engineer	Tec Pvt Ltd C3/143 TanakPuri New Delhi
174.	55933	Nowaid Aziz Khan	Consultant Engineer	23 Mardikar Gali Balaghat (M.P) 481001

175.	55935	Mahendra Kumar Deshmukh		Vastu Construction , Dhanraj Complex
176.	55934	Niranjan Dixit	Consulting Engineer	Vastu Construction 1st Floor Dhanraj Complex
177.	55936	Suman Kumar Dutta	Consulting Engineer	Dutta Construction Bhagwati Complex
178.	59485	S.M Faisal Karim	Junior Telecom Officer (Civil)	BSNL Civil Sub Division Ara Bihar
179.	52431	Vikrant Sharma	Junior Engineer Civil	DSHEP SJVN Ltd (H.P)
180.	52432	Sanjeev Kumar	Junior Engineer (Civil)	RHEP RKg-2 Bayal SJVN Limited
181.	52434	Manoj Pathak	Junior Engineer	SJVN Ltd
182.	52436	Sanjay Kumar	Junior Engineer	SJVN Ltd
183.	52435	Sunil	Junior Engineer	Sr.Mgr Pkg-II, SJVN Bayal
184.	66686	Amit Kumar Singh	Assistant Engineer	Shiv Infrastructure Engineer
185.	66687	Shikha Agrawal	Sr. Checker	Structure Online, Structural Steel Detailing
186.	66293	Poulomi Pani	Sr. Engineer Billing	Systematic Conscom Ltd
187.	54156	Varun Kaura	Assistant Manager	Pearl Group
188.	50131	Pranab Jyoti Dutta	Junior Engineer	Assam PWD
189.	59253	Shayista Vaseem	Asst Professor	SSM College of Engineering & Technology
190.	50139	Mrs. Mohini Nath	Deputy Manager	Assam Industried Development Corporation
191.	67562	Bhola Kumar Sha	Project Engineer	Omaxe Ltd, F Spa Sec-93 B 7LSC, Kalkaji New Delhi Noida
192.	50573	R.R Mishra	Tech Officer	NHAI, Dwarka New Delhi-75 Plot-11, Vikas Kunj
193.	52593	Rajneesh Yadav	Junior Engineering	TRA at Dlf,kingscourt site
194.	55552	Sonu Nagar		P.N.T Design, Gumumpura Kota (Raj)
195.	53804	Bhasker Kala	Civil Engineer	31/A Friends Colony West
196.	61797	Kamal Kant	Civil Engineer	Pramod Associates at Surajmal Vihar
197.	55819	Satya Kumar	Water Accountant Assistant	Irrigation Deptt N.D.G.C Roorkee
198.	61003	Alfar MS	Junior Engineer	
199.	68225	Pradeep Kumar Bhatt	Self Business	
200.	59444	Pradip Manna	Civil Engineer	Naval Engg Construction Pvt Ltd
201.	59446	Somnath Sarkar	Civil Engineer	Videojet India Pvt Ltd
202.	53693	Deepak Singh		I.T.L, D.D.F Consultant Pvt Ltd, 501, B-9 Twint Tower Pitam pura
203.	50411	Kamphu Rebe	Supervisor	Gammon India Ltd, Seppa Est Kameng Distt Arunachal Pradesh
204.	54704	Shazid Khan	Student	Regional Institute of Science & Technology

				Megailaya
205.	55538	Dhirendra Prasad Isar	Civil Sub Engineer	Kathmandu (Nepal)
206.	53851	Atul Kumar Yadva	Junior Engineer	Jalnigam Varanasi
207.	59308	Leena Moni Kumari	Assistant Architect	Dipankar Baruah Associates Zoo road jimali
208.	64028	Praveen Jha	Senior Structure Engg	TFS Limited Delhi Metro
209.	51847	Manoj Kumar	Junior Engineering	UP Jal Nigam Kanpur
210.	66031	Sanavar Hasan	Site Engineer	Wave City NH-24 Ghaziabad
211.	64767	Pushp Ranjan Kumar Singh	Junior Engineer	JMC Project (India) Ltd Sec-58 Noida
212.	60089	Ashish Kumar Nigam	Senior Assistant	Irrigation Department U.P Irrigation Const Div-I Lucknow
213.	66197	Sudhir Kumar Maurya	Business Civil Construction	JP Associates,-2/138 Sector, H- Jankipuram , LKO
214.	52168	Abid Khan	Project Engineer	Central Park
215.	69403	Muzammil	Architect	Japanese MNC
216.	55563	Kallol Biswas	Consultant Engineer (Civil)	Civil Project of Aqua Design india Ltd kolathur chennai-99
217.	67563	Amit Kumar	Project Engineer	Project Engiheer Omaxe, SEC
218.	50718	Bimlesh Kumar	Co-ordinator-I (Civil)	Tata Steel, Service C&SM Office (Tata Steel) West Bokaro Division Ghatotand Pin-825314 (Ramgarh), Jharkhand
219.	53254	Anupam Magotra	Executive Engineer	PWD (Rd B) Const Divn No.II Work Supervisor,
220.	50138	Rupak Deka	Surveyar/Coss Assessor	Laxmi Market, Near Canara Bank Ganashguri Chariali, G.S. Road Gh-6
221.	58105	Mohd Nassar Choudhary	Junior Engineer	Zarar Construction Company, Near Petrol Pump Malipath Kishtwar
222.	58981	Bharat Bushan Mukhi	Work Supervisor	Block Dev -Office Satwari H.Q Dhallian Mandal
223.	69209	Santosh Singh	Architeetural & Structural Consultant	S.S.Thakur & Associates" Oc-7 First Floor Supermarket , Agrasenchowk , Link Road Bilaspur C .G .
224.	51326	Rajendra Prasad	Jr. Engineer	O/O the Dy. Chief Engineer/Con E. Rly Bhagalpur Goomti No. 3 Bhikhanpur, Bhagapur Bihar
225.	52474	Gorelal Rajwanshi	J.E. (Contract)	Govt of Bihar, WRD Aurangabad,
226.	55774	Bapi Bhandari	Junior Engineer	Govt. Service as (Works), BKSC, (SER,ADRA) Bokaro Jh-827010
227.	55694	Gautam Kumar	JE/DRG & Design	South Eastern Railway, CAO/CON/GRC's Office, Garden Reach, Kolkata-43
228.	52472	Prakash Chandra Badal	Junior Engineer	Railway Office Officers Rest House, Dy CE/CON/SPJ, Samstipur
229.	61864	Sujeet Kumar		GKT Projects Ltd.,

230.	52469	Diwakar Kumar	Junior Engineer	Sub-Division, Aganoor, Irrigation Division Daudnagar, Aurangabad, Bihar
231.	52468	Sumit Kumar	Junior Engineer	Border Road Organization,
232.	55683	Abhay Ranjan Goswami		Service in Railway,
233.	62434	Divakar Kumar		GKC Project Ltd.,
234.	55727	Montu Kumar	Junior Engineer (Civil)	HQ 127 RCC (RGEF) C/O 99 APO,
235.	55794	Ranjit Kishor		-
236.	55753	Pramod Kumar	Junior Engineer	W/CON/Imphal-1 (N.F). Rly,
237.	73877	Izhar Ahmad Kokeb		-
238.	55779	Vivek Kumar	Junior Engineer (Civil)	IRCON International Ltd, Daroga Raj Path, Patna-1,
239.	56817	Osama Saifullah	Junior Engineer	Contract Appointment/, Executive Engg. Rural Works Deptt. Works Div-Munger (Bihar)
240.	65157	Rajesh Singh Bisht	Junior Engineer (Civil)	"Military Engineer Service" GE (N) Udampur, C/O 56 APO, Pin No. 901220 GE(N) Udampur C/O 56 APO Pin- No.901220, Bihar
241.	55750	Sunil Kumar Sharma	Sr. Technical Assistant	"A"/Scientific fAsst "A", Const. & Main, Division IIRS/ISRO/DOS/Dehradun
242.	60316	Bhaben Barman	Junior Engineer (Civil)	O/O the Block Development Officer, Udalguri Development Block, Udalguri, BTAD, Assa
243.	60317	Bhaskarijyoti Baruah	Junior Engineer (Civil)	O/O the Block Development Officer, Bhergaon Development Block PO. Bhergaon, dist : Udalguri, Assam
244.	60422	Shantanu Choudhury	Sub-Divisional Engineer (Civil)	O/O Chief General Managar Telecom, BSNL Bhawan-4th Floor Panbazar, Guwhati-781007 Assam
245.	55663	Ramesh Chandra	Junior Engg. (Civil)	GR(I)(P) Siliguri (Bengadush),
246.	50288	Devesh Kumar Dixit	Director & Promoter	Design and Construction of Civil Engineering Projects, Director & Promoter, Daksha Engineers (India) Pvt Ltd S-93 First Floor tulsu Market Bhootnath Indra Nagar Lucknow-226016
247.	55664	Ashok Prasad Singh	Junior Engineer	PWD Govt. of Bihar
248.	57303	Rakesh Kumar	Manager Civil	M/S Bumi Geo Engg Ltd. Tunnel No./1 Katra Jammu
249.	55965	Ashwani Kumar Fotidar	Tech-III	Executive Engineer Survey Division, Narwal Jammu, H. No. 30, Extension Vivoyb Nagar Sector-I Muthi Jammu
250.	68020	Asagar Ali	Site Engineering	(Private Sector), Engineer-Isolux corsan India-Gonda/Gurgaon
251.	64524	Harsh Pathak		-
252.	58316	Sayed Shakir Ali	Asst. Engg (Civil)	Sanajy Constructio, Pvt. Ltd, Bapaji Nagar ,BBSR

253.	61523	Arshad Shemeen. P. P		-
254.	53970	Mhatre Varun Suresh		-
255.	53994	Shetty Abhijeet Sadanand	Site Engineer	Jay Infra, G-102, RITU Paradise Phase-1 GCC Club Road, Mira Road (E)
256.	53963	Shaikh Nemtullah Haider	Junior Engineer	Prabhadevi, Pu
257.	53975	Bagasrawala Abbas Zakiuddin	Director	Super Engineering Works
258.	73284	Chaudhary Maqsood Ali Abdul Mannan		-
259.	73276	Arabalkar Jeevan Baburao		-
260.	64555	Bhaskar Jyoti Dey		-
261.	57233	Lal Mohan Das	Junior Engineer	Rurul Works Department, Govt. of Bihar, Work Division Mohania, Kaimur, Bihar
262.	64557	Nitin Kumar	Project Engg- Civil	Vodafone Spacetan, Sai corporate Dark, 3rd Floor, Block-A Near Rukanpura Bridge, Rukanpura, Patna
263.	52566	Nikar Hankar		Student,
264.	74500	Naveen Kumar Sharma	Draftsman	Kishtwar Dev Auarhaity (Dept. Tourism)
265.	59346	Muzaffer Rasool	Junior Engineer	Chief Education Office, Kishwar
266.	66344	Vignesh U R	Site Engineer	M&I Construction P.O. Box 5185 Kingdom of Bahrain
267.	66345	Rajendran C	Superintendent	MCSC, P.O. Box 5238 Kingdom of Bahrain
268.	54253	MD Nurul Imam	Civil Engineer	Billing Engg in Mumbai
269.	64199	Priyanka Dixit	ADM	Janpad Panchayat Waraseoni, Distt- Balaghat
270.	53894	Neha Dhiman		Central Road Research Institute, Mathura Road
271.	64894	Rajeev Ranjan Kumar	Junior Engineer	W/C/TLR, Indian Railway NFR
272.	67672	Naveen Rohira	Structural Design Engineer	Deputy Manager Everest Industrial Ltd. New Delhi
273.	59993	Rajesh Dhakad	Sub Engineer	Zila Shiksha Kendra Tatlam (M.P.)
274.	77206	Rajesh P D	Junior Engineer	Rural Works Department, Works Division, Bhagalpur, Bihar
275.	66013	Rakesh Kumar	Architect	Jaypee Group
276.	53234	Ram Kumar Ghosale	Assistant Engineer	
277.	61587	Sangita Medhi	Junior Engineer,	Irrigation Deptt, Chief Engineer Office of Irrigation
278.	58978	Notla Shyam Sagar		HFCL, C/O RIC, Mast Execution Engg. Visakhapatnam, Andhra Pradesh
279.	68593	Partha Pranjal Bhorali	Junior Engineer (Civil)	Atiit, Guwahati Eengineering Section, Pin-781039
280.	63850	Prashant Saraswat	Field Engineer (Civil)	Jaiprakash Associate Ltd, 128 sec, Noida (U.P)
281.	67651	Prem Singh Negi	Assistant	Health Departmt. Dehradun.D.F. Office

			Engineer	Dhandalakhund, Shastrdhara Doad Dehradun
282.	62684	Rahul Agarwal		-
283.	61444	Mohammad Ilyas	Civil Contractor	
284.	61049	Mohammad Masood	Junior Engineer (Civil)	Government Employee (Ministry of Defence) Designation:- Junior Engineer (Civil) o/o GE(D) Dehradun Cantt. Dehradun UK -248003
285.	61773	Nagarajan S		, Sobha Limited, General Manager 136,5th floor, Sector -44, Gurgaon
286.	66921	Narender Tongaria	Project Engineer,	
287.	50710	Naveen Kumar		-
288.	68834	Neelesh Kumar Shukla		Sahara Prime City Ltd, Sahara Prime City Ltd Dy Manager Saharaerly Homes Tdmkroad Jaipur
289.	66012	Gopal Krishan	Assistant Engineer,	
290.	61782	Deepak Kumar		-
291.	66107	Devilal Chaudhary		, Jen Nagar Palika Nawa City (Nagor)
292.	59340	Kailash Chand	Junior Engineer	PHED Subdn Mandalgash Dist Bhilware (Rajasthan)
293.	62332	Manepalli C Sekhararao	Dy Project Manager	C/O NCCL
294.	68432	Dhrubajyoti Das	Deputy General Manager	(Highways) Lea Associates South Asia Pvt. Ltd.
295.	57031	Gyamar Karo	Assistant Engineer,	C/o. Sevretay Education, Govt. Of Arunachal Pradesh
296.	62456	Devendra Singh Jhinkwan	Junior Engineer	
297.	66500	Dinesh Kumar Gaharwar	Draughtman	Govt. Polytechnic, Durg, Chhattisgarh
298.	66456	Mansoor Ali Khan	Sub Engineer	Janpad Shiksha Kendra, Hathi Khana Road, Opp. P.W.D. Office Ratlam, Madhya Pradesh-457001
299.	76016	Mahesh Kumar Sharma	Sub Engineer	Govt. of C.G W.M. Division, Rudri Dhamtari (C.G)
300.	62067	Lalit Gaur	Additional Assistant Engineer	O/o Project Manager, Construction Unit Uttarakhand Peyjal Nigam Lohaghat, Chamrawat
301.	52897	Dinesh Kumar Sharma	Consulling Engineer	
302.	61347	Ashish Gupta		-
303.	59822	Pawan Gahlot	Civil Contractor	
304.	64392	Ram Kumar		-
305.	51868	Roshan Kumar Tiwari	Owner	Aastha Maps & Projects, Link Road, Tarbahar, Bilaspur-495001, (C.G.)
306.	56699	Silky Sharma	Junior Engineer	Werm India Pvt Ltd , K.C Marg
307.	68457	Jasvinder Singh	Architect	Office Jakual Road Sunam
308.	77159	Marisella Gangadhar	Construction Manager	L&T Gurgaon, Haryana

309.	59934	Manpreet Singh		-
310.	65025	Santhosh Kumar B	Ass. Architect	CPGI Consultants India Pvt. Ltd. Crescent Park ST, T-Nagar, Chennai, Tamilnadu-17
311.	69353	Vivek Gupta		Service, Head Planning & Simplex Infrastructures Ltd, Nehru Place, New Delhi
312.	76770	Rajni	Asst. Architecture	Gurgaon
313.	75389	Tanmay Baidya	Architecture Assistant	Basic Concept Architecture Service Pvt. Ltd., G.K.1. delhi-110048
314.	65946	M A Kaiser		14/3rd S.R. Nagar, Hyd-38
315.	66119	Dinesh Kumar		M/s. Meenu Builder's (Bhilwara)
316.	67555	Dhiraj Kumar Pandey	Junior Engineer	B.N. Buildcon Ind Pvt. Ltd. A-206, Kaushambi, Gzb
317.	72041	Kavita		-
318.	59475	Akash Yadav		-
319.	60671	Alok Kumar Sewada		-
320.	53546	Deepak	Assistant Architect	Ashwin Alva Associates, 23 - Western Avenue, Sainik Farm New Delhi - 10062
321.	61447	Kamal Kumar	Assistant Architect	CGMP Pharma "N" Plans Pvt. Ltd., A92A, Numberdar Estate, Taimoor Nagar, New Delhi-110065
322.	71673	Anuj Kumar		-
323.	76232	Bibhu Sharma	Sr. Supervisor	Jain Irrigation System Ltd. Sundernagar, Himachal Pradesh
324.	62713	Bilal Ahmed		-
325.	77175	Ashish Nalpady	Design Engineer,	
326.	66666	Ashok Kumar Singh	Consulting Engineer	
327.	56051	Babu AJ	Architect	Rajesh & Ambooken Associates
328.	66776	Hanuman Prasad Sahu	H.P.S. Consultant	BZ Bhagat Singh
329.	67258	Patel Urvashiben Ashwinkumar		Managerat Jems Multi Tech Consol Tacy, AT Shani Bauy Ahmedabad - 380004
330.	67257	Patel Rutik Vinubhai	Proprietor	Jems Multi Tech Consuthncy Shahibay Ahmedabad
331.	50924	Lakshmana Rao Kilari		Real Istate Buseness Developer , Ranaskhalan
332.	69260	Matta Bapi Raju	Lianled Architect	Own Designed, Visakhapatnam, .A.P.
333.	66667	Sukh Nandan Prasad Sahu	Engineering Consultaney,	
334.	68959	Abhijit Das	General Civil Engineer,	
335.	64848	Abhishek Kumar Rai	Junior Engineer (Civil)	Powergrid Durg (C.G),
336.	67814	Ajay Parmar	Manager-Projects	ETA,
337.	68018	Ajeet Singh	Sub Engineer	C.G Govtat Office of The Exeutiue Engineer W.R.Division Dhamtan (C.G)

338.	60634	Akash Mohan		-
339.	75393	Alok Ranjan Pandey	Managing Director	Artech Engineers, Engineering Consultant & Geotech Services
340.	52898	Amit Kumar	Consultant Engineer	
341.	65937	Anoop Kumar Yadav		Wapcos Ltd, (Govt.of India lot) JENIGottam Marg Jaipur
342.	65551	Bapi Rul Mondal		Eais India Consulting Engineers (P) Ltd., Track Engineer BE - 242 , Saltlake , sec - 1 Kolkata - 61
343.	60765	Bijay Krishna Das	Junior Engineer (Civil)	Border Roads Orgami Sation, HQCE (D) Shivalik , Ldpl Complex Rishikesh , Uttarakhand , Pin - 249202
344.	54864	Rohit Gupta	Junior Engineer	CC, East Muniupm Corporation of Delhi
345.	61325	Umang Tyagi		-
346.	68685	G Nagaraju		-
347.	75102	Jiwan Lal		-
348.	68896	M Nagaraju	Technial Officer	O/o Superintending Engineer, SRSP Stage-II Circle, K.C. Camp- Warangal- A.P.
349.	65532	Mahendra Kumar	Technical Support Executive	India Can Edu. Pvt. Ltd. Jaipur, Rajasthan
350.	54474	Mohammed Arif Tanwar		-
351.	54477	Yunus Farooqi		-
352.	55316	Mohd Hussain		-
353.	75630	Lalit Kumar Sanoria	Sr. Designer (Civil)	
354.	58420	Mohd Islam		-
355.	58421	Mohammed Nadim		-
356.	64722	Naveen Kumar Ratho		-
357.	61897	Mohd Imran		-
358.	71148	Nimisha Singh		-
359.	59087	Niwesh Kumar	Tech-III	Railway, CRW/HRT
360.	52146	Aamir Khan		-
361.	65993	Pawan Kumar Ghorela		-
362.	65441	Priyanshu Jangir		-
363.	75282	Ramayanam Vidyasagar	Building Surveyor	Liconcod in Grama Panchayath Uvavakonda-515812, A.P.
364.	70314	Ravindra Singh Faldakoti	Lab Instructor	Civil Enineering Department, Dronacharya College of Engg. Gurgaon, Haryana
365.	54450	Sanjay Yadaw		-
366.	60674	Sanjay Kumar Sharma		-

367.	55960	Mrinal Choudhury		-
368.	68666	M Srinivasa Rao	Town Planning Supervisor,	Govt. Municipality, Telangana
369.	71472	Rattan Lal	Architect	Architecture Plus Sagar Building, New court Road, Ghumarw/ N Dist. Bilaspur, Himachal Pradesh
370.	66478	Yunus Husain Khan	Civil Engineer	Sub Engineer, Janpad Shiksha Kendra Piploda, M.P.
371.	56834	Rahul Prakash		-
372.	62837	Sunil Kumar Dwivedi		-
373.	67815	Satish Pal Dogra	Project Manager	Spice Group
374.	66363	Shiv Kumar Gilhare	Sub-Engineer	O/O Executive Engineer/Sub Divisional Officer, MBC-Sub-Division, Aarang, Chhattisgarh
375.	60631	Sidhartha Shah	Junior Engineer	CC/T.D. Ranikhat, Uttarkahand
376.	67730	Kabita Chamuah		-
377.	66685	Shahzeb Khan		-
378.	62712	Sarvesh Kumar		-
379.	67553	Shiv Shankar Mishra		-
380.	60356	Soumita Seal		-
381.	75435	Sumit Sharma	Surveillance, Engineer	Nadesar, Varanasi
382.	69153	Ramnarayan Yadav		-
383.	71022	Vivek Ranjan Tiwary		-
384.	69649	Piyush		-
385.	69371	Uma		A Engg. in Optimal Consultancy, Sei Pvt. Ltd., 216/A/13 Gautam Nagar
386.	51279	Satyendra Pandey	Sr. Engineer	Patel Infrastructure Pvt. Ltd. Rajkot Gujrat
387.	64806	Avadhesh Kumar Pandey	Asst. Engineer	BHEL-ISG, Bangalore
388.	84516	Bhagbat Kumar Yadav	ASI/RM	98BN BSF Nalkata, Tripura
389.	63490	Arshad Amin	Junior Engineer	Block Dev. Officer, Doda
390.	76646	Ashwani Kumar		-
391.	63491	Mohd Ashraf		-
392.	61811	Akhil Chandra Barik	Asst. Engineer (Civil)	Water Resourced Department, O/o C.F. cum P.D. PMU (011Awmp)) 5th Floor, Rajiv Bhawdan, BBSR, Odisha
393.	66220	Abhishek Kumar	Junior Engineer	Public Work Department, (PWD) Ex. Engineer, P.D.P.W.D Kanpur Dehat-209101
394.	74738	Poornachandar P	Site Engineer	Petron Engineering Construction Limited, Warangal, Telangana
395.	55686	Sanjay Kumar	Senior Manager-Civil Engg.	The Wadhwa Group, 3rd Floor, Platina, Plot No.-C-59, BKC, Bandra, Mumbai-400086
396.	64889	Rizwan Ahmad	Site Engineer	Alhabtoor Engg Enterprises Pvt. P.O. Box -22478 Doha (Qatar)
397.	74542	Mukesh Kumar	Junior Engineer	Power Grid Corporation of India Ltd. OB-26, Grid

			(Civil)	Bhawan, Rail Head Complex Jammu
398.	53346	Mashi Arshad	Junior Engineer (Civil)	Ichak Block, Hazaribagh
399.	59607	Ram Hivas	Junior Engineer (Civil)	GE (West) Pathankot. 145001
400.	55312	Deepak Gupta	Tracer	Office of Executive Engineer, P.W.D. Division-2 Matimalguel
401.	52516	Rakesh Kumar	Manager	Punj Lloyd Ltd. Pumj Lloyd House, 17-18 Nehru Place, New delhi-110019
402.	62831	Samir Kumar Seth	JTS	IIT, Bhubaneswar, Workshop Complex, School of Infrastructure Samantapuri Campus-751013
403.	56456	Sunil Kumar	Junior Engineer (Civil)	M/s. D-France Associates, Architects, 206, Adam Bayyar, Thirissur-I Kerala-680545
404.	52527	Amlesh Kumar	Junior Engineer	Works/Con/Tata, Office of the Dy. CE/CON/Tata, S.E. Railway, Tatanagar
405.	55777	Santosh Kumar	Junior Engineer	Works/Con/Tata, Office of the Dy. CE/CON/Tatanagar, S.E. Railway
406.	65539	Md Shahnawaz Ali Ahmad	Junior Engineer (Civil)	Border Roads Org. E2 Estg Section HQ CE(P) UDK. C/o 99 APO
407.	64855	Sujeet Kumar Singh	Junior Engineer	Office of the Executive Engineer, BCD, Godda- 814133
408.	70005	Suman Deb	Assistant Engineer (In- charge)	O/O the AE(Civil), Postal Civil Sub Div (NER)
409.	58688	Pintu Pramanik	Junior Engineer (Civil)	BRO, New Delhi
410.	51945	Aigal Jayesh Anand	Project Manager Civil	Viceroy Real Estate 105/K-3, Ameya Appt. Raia, Margow Goa-403603
411.	50048	Chandan Kumar Bhatiya	Junior Engineer Civil	Ge (West) Pathankot. 145001
412.	66132	Pikendra Kumar Mehta	Junior Engineer	JlIdco, 3rd Floor, New Riada Building Namkum Industrial Arca, Ranchi - 10
413.	55728	Amit Kumar Gupta		BRO (GREF) HQ 129Ru (GREF) C/o 99 APO
414.	85768	Deepak Uppal	Work Super Visor	University Of Jammu, University Work Deptt
415.	85837	Neeraj Sharma	Work Super Visor	University Of Jammu, University Work Deptt
416.	59574	Putrevu V Svisweswararao	Managing Partner	M/S. sv Constructions 7-3,Gandhigram, Chodavaram-531-036 Visakhapatnam Distt - A.P
417.	80972	Vishnu Vidyadharan		-
418.	80464	Nihass K K		-
419.	60020	J Indumathi	Architeet	
420.	74922	Pramesh K G	Techmcul Assistant	Larsen & Toubro
421.	78264	Vikas Kumar		-

422.	65849	Lingaraj Tarai	Junior Engineer (Work)	Eastcoast Railway
423.	64866	Manoj Kumar Keshri	Junior Engineer	Rural Development Special Divserai
424.	57120	Rajeev Tripathi	Asst. Engineer-I	5th & 6th Floor, Sri Mohini Complex kings way Road Nagpur (Maharastra)
425.	78020	Mohd Shehzad	Junior Engineer	Block Development Office jij - Bagli
426.	86384	Ankit Sudan	Work Suvisor	M/S Vikrant Kumar Anand B.O.Q.No-194,Opp.Girls Hr Sec (Aclass Govt.)
427.	84856	Purnendu Chowdhury	Project Management	
428.	58194	Sanjeev Kumar Gohain	Service Asstt Engineer (Civil)	PWD(R), Jorhat NEC Division, Jorhat, Assam
429.	88710	Padiya Nayan Suryakant	Consulting Arch. Engg & Interior Designer	405, Manas Complex Opp. Star Bazar, NR Jodhpur Cross Road Satelite Ahmedabad - 380015
430.	72067	Hradesh Kumar		Government Service (Irrigarion Departmant U.P)
431.	50377	Pradipta Ranjan Das	Junior Engineer	N.A.C Office At Park Road Kabisarya Nagar, Distt- Gongam Odisha, 761104
432.	80611	Sandeep Kumar Dubey	Civil Engineer,	Technical Engineer in JK Lakshmi Cement Limited,
433.	85763	Gagandeep Singh	Executive Engineer	PWD(R & B) Const Div-III Jammu
434.	85766	Jeet Kumar	Technical Assistant	RDD (Rew) c/o BDO Kalakote
435.	85705	Riaz Ahmed	Technical Assistant	RDD (Rew) c/o BDO Kalakote
436.	85764	Harvinder Singh Sethi	Junior Engineer	PMGSY, Division Reasi
437.	86441	Zafer Mehmood	Junior Engineer	REW Rajouri
438.	55558	Giriraj Meena	Assistant Engineer	Simplex Infra. Ltd. Nelie Sarani (Kolkata)
439.	87878	Sunu Somarajan	Junior Engineer	Civil Building Concept Architectural Consultancy, RNRA, Kaikulangara North, Kollam, Kerala
440.	53893	Neeraj Dwivedi	Project Engineer (Civil)	Builder's Pvt. Ltd" Russul Chowk Jabalpur (M.P)
441.	84459	Mohd Wajid Khan	-	Near Nur Maszid iml Road Rooncip Distt - Haredwar
442.	54538	Upender	-	B-431, Rajeev Nager, Begumpur, Rohini Sec. 22 New Delhi - 110086
443.	72025	Rohit	-	P-2/602, Sultan Puri, New Delhi-110086
444.	69965	Vipul	-	H.No-54-A, Kavita Colony, Nangloi, Delhi - 110041
445.	63481	Mohd Saquib	-	H.No.-256, DDA Quarter, New Seema Puri, Delhi - 110095
446.	84094	Tame Niohi	-	Vill. - Hiya- li, Nyapin, Arunachal Pradesh

447.	85595	Chetan Rawat	-	I-331, Ansari Nagar, New Delhi-110029 (A.I.I.M.S)
448.	82563	Mohit	-	H.No-354, Near Old Holi Chowk, Vpo-Bharthal Sec. 26 Dwarka, Delhi-110077
449.	82335	Sahil Verma	-	D-19 Mahinora Park, C-1 Janakpuri, Delhi - 110058
450.	50042	Narinder Singh	-	H.No. 637-A Gandhi Nagar Jammu, Opp. Site Canara Bank Jammu, J & K -180004
451.	82453	Vijay Prakash	Civil Engineer	A-48, Sanjay Colony Bhatti, Mines Delhi - 110074
452.	82431	Sachin Sejwal	Architecture	159-A, Chirag Delhi, Delhi - 110017
453.	86932	Khageshwar Prasad	-	Vill-Post Mounapali Kharsie Pin No 496661
454.	59573	Ajay Tamer	-	Ambedkar Ward, Shikchak Nagar Mungeli
455.	75487	Santosh Kumar Gupta	-	CE (Airfor CE), Jammu (J&K) Pin.No-180003
456.	75689	M Jai Shankaran	RED Fort (Achreological Survey of India)	H.No-529 Sunlight Colony No-1
457.	56564	Sanjay Sharma	Junior Engineer	385/6 Nehru Nagar Garh Road Meerut Uttar Pradesh-250001
458.	56379	Navneet Kumar	B.T Civil Engineer	C/O. Prashant Kumar Singh oop-Simraha Church, Santnagar H.No.35, Gangjala, Saharsa Bihar
459.	66379	Akash Bhowmik	Civil Engineer	Vivekananda Steet, P-Coochvihar, Dist-Coochbehar
460.	74980	Gouri Sankar Panda	Junior Engineer	Plot.No-1846, Nuasahi, Nayapalli, Bhubneswar Orissa-751012
461.	66824	Asheesh Rawat		B-3/330 Paschim Vihar New Delhi-110063

2017- Alumni Enrolments January to March

462.	51733	Janardan Pandit	Junior Engineer	O/O-B.D.O.Madhupur Deoghar, Jharkhand Pin.No. 815353
463.	71834	Abhishek Kumar Sharma	Junior Engineer	Junior Engineer in UDHD (Bihar) ot Samastipur Colletorate
464.	71835	Rakesh Raushan	Junior Engineer	Junior Engineer in UDHD(Bihar) Muzaffarpur
465.	51179	Pradeep Kumar Sharma	Job at Private Sector Junior Engineer (Civil)	Shree Mega Power, Shree Cement Ltd Bangun Nagar, Beawar (Rasarkhan)
466.	80554	Dipjyoti Singha	Assistant Engineer	A.E.Udharbond Deyelopment Block Cachar, Assam

April to June

467.	69393	Gajitan N	Civil Engineer	(Highway and Infrastructuse)Arcadis, 12th Floor, Aijossem Bldg, P.O.1854, Qatar
468.	59813	Raguvir Singh	-	Near Police Line Road, Rajouri C/o Khalsa Automobiles Jammu & Kashmir – 185131
469.	78418	Krishan Chander	Work Supervisor	Tubewell Irringatian Dluisan Jammu
470.	76649	Sunny Kumar	Engineer Civil	Larson and Toubro
471.	84373	Deepak Kumar	Project Manager	M/S Perfect Solution
472.	82874	Neeraj Kumar Kaushik	Struchure Engineer (Engg.Work) Constrnction & Architect	JJJ Kaushik Engineer Owher, Class-A, Professional Engineer Registeret With J.C.P (H.P)
473.	71850	Deepak Kujur	-	Ordinte Engineeing Service Jharkhand

July to September

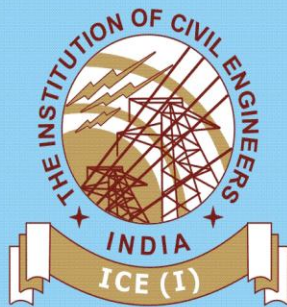
474.	55111	Saroj Kumar	Structural Designer	S.V.Damle Consulting Engineers, C-70 Inderpuri New Delhi- 110008
475.	79046	Amaresh Mondal	Site Engineer	Blooms Bunj Infras Trueture Pvt.Ltd. At Rajarhat New Town, kolkata, West Bengal
476.	88420	Udit Kaushik	Student	H. NO. B-6 Jagatpuri , Gali No. 2, Near Mahamana Primary School, Delhi – 110051
477.	79413	Allen Moris Francis	Surrey Manager Civil	Isolux Corsan Eng. Pvt. Ltd, Block-2, Vatika Business Park Secter-49 Gurgaon
478.	62552	Sajadudeen. F	Self Dolng Construction Buildings	F. S. Manzil, Chavadimukku, Sreekariyam P.O., Trivandrum, Kerala- 695017
479.	70438	Anoop Nelson	Site Engineer	Aneesh Bhavan , Peringamkonam, Kudappanakkunnu , P.O-Trivandrum, Kerala - 695043

480.	70934	Sooraj. S.S	Site Engineer	Chruvila Veedu, Azhoor. P.O, Perunguzhi, Thiruvananthapuram, Kerala- 695305
481.	70439	Jinumon J	Site Engineer With A Governmint Contractor	Ajinu House, V P 8/1400,CRA, 26 B, Vazhottukonam, Vattiyookavu, P.O Kerala - 695013
482.	69770	Athul. N	Site Engineer	Nandanam Sagara-240 Kusavarkal Mukkola - P.O - Trivandrum 43
483.	53729	Kakdiya Mayur Jivrajbhai	Architechiral Planning	A-35, Rupalisco, Near P.P Savani, Vidhyabhavan, Hirabag, Surat, Gujrat - 395007
484.	91324	Syed Azam Moinuddin	Civil Engineer	Saab Land Mark Construction G.M. (Civil Engineering) Pvnr Express Wayi Piller No-216 Hyderabad - 48
485.	94531	Bandavath Sreenu	Engineer At Wapcos Ltd	5th Flour Kailash Buildin 26,Kg Mcrag New Delhi - 110001
486.	75634	Alex M. Vaidyan	-	Pathuparayil Veedu, Channapetta, P.O - Manacode, Kollam, Kerala - 691311
487.	88429	Rishabh Gupta	-	I-758 Gali No.-7, Jawahar Nagar Loni, Uttar Pradesh - 201102
488.	85765	Tariq Hussain Shah	Junior Engineer Rew Rajouri	R/o, Karyote Tech. Thanna Mandi, Distt. Rajouri, Jammu & Kashmir - 185212
489.	79588	Sahil Pahwa	Site Engineer (Civil)	M/s Ajay Kumar H.No- 510/4 Rani Talab Digiana, Jammu and Kashmir
490.	88035	Sahil Sharma	Site Engineer (Civil)	M/s Ajay Kumar H.No- 510/4 Rani Talab Digiana, Jammu and Kashmir
491.	51322	Amita Yadav	Managing Director	Kaypee Infratech Pvt. Ltd. Supaul- 852105 (Bihar)
492.	51211	Manoj Kumar Verma	Conservation Assistant	Archaeological Survey of India Lucknow Circle, 9th Floor Kendriya Bhawan Aliganj Lucknow
493.	51210	Ravi Shanker Saxena	Draughtsman	Archaeological Survey Of India Lucknow Circle, Kendriya Bhawan Aliganj Lucknow

494.	72018	Vikrant Singh Chauhan	-	Rz-439/B, Raj Nagar-II, Palam Colony Near Railway Line New Delhi-110077
495.	69946	Dipesh Kumar Sinha	-	RZH-284, H-Block, Gali No-9, Near Divine Public School, Raj Nagar, Palam Colony, New Delhi- 110077
496.	88428	Priti Verma	-	190-B4 Barant Lane Railway Colony Pahar Ganj Delhi-110055
497.	88456	Dheeraj	-	D-35/E-46 H.No-38 Jain Mandir Dilshad Colony Delhi-110095

October to December

498.	77056	Md Sirajuddin Ansari	-	Plot No - 16, Ward No - 7 Kripal Nagar Kohka Bhilai Nagar Chhattisgarh Pin No-90023
499.	85212	Gurucharan Sahu	-	Vill - Khapari, P.O-Demar Tah Distt - Dhamtari Chhatisgarh - 493773
500.	55551	Naresh Singh Kushwah	Assistant Engineer	Assistant Engineer Watershare & Soil Conservator Panchyate Samiti Chhabra Post-WDT Engg
501.	88777	Chandan Bhardwaj	Junior Engineer	Junior Engineer, Irrigation Division Ramnagar (Nainital) Uttarakhand-244715
502.	88776	Rakesh Mohan	Junior Engineer	Junior Engineer, Irrigation Division Sitarganj (U.S.Magar) Uttarakhand
503.	57555	Raghvendra Pratap Singh	Assistant General Manager	Assistant General Manager, Unity Group, G-3, Aggarwal Corporate Tower, Distt Center Rajenter Place New Delhi-110008
504.	59055	Priyank Shah	Junior Assistant	Junior Technical Assistant (Mgnrega) Zila Parishad Dungarpur
505.	64863	Pinku Kumar Mandal	Junior Engineer	Government Service (Bihar Government) Junior Engineer, Public Health Division, Supaul
506.	51025	Ranjan Kumar	Junior Engineer (Civil)	M.I.Div.Madhubani (Bihar)
507.	76143	Dinesh Kumar Chouhan	Deputy Manager	Tata Power Company Ltd, Shatabdi Bhawan B12 & 13 Sector-4, Noida Uttar Pradesh-201301



The Institution of Civil Engineers (India)

(A Govt. of India Recognized Degree Level Institution)

Regd. Off. : 'Career House' Bindra Complex, Model Town, Ludhiana (Punjab)

Delhi Off. : 'Career House' 4, East Park Road, Karol Bagh, New Delhi-110005

Phone : 011-23629300/01/02/03 Fax : 011-23629304

E-mail : info@ice.net.in **Website** : www.ice.net.in